

CSI JEWETT

Ventilated Gross Anatomy Dissecting Table

Model SR1211-6



Ensuring efficiency for all of your dissection needs

The SR1211-6 Ventilated Gross Anatomy Dissecting Table is a popular choice for teaching institutions. Its fold-away top allows versatility in body examination and storage. When the top is closed, the table provides a moist environment while keeping preservative vapors confined. Down draft ventilation aids in removing odors and hazardous fumes. During examination, the top folds within the dimensions of the table, allowing full access to the body. The removable tray makes the table compatible with other body storage devices. To create a complete body storage system the SR1211-6 can be combined with the SR1211-2 Multi-Tiered Mobile Cart or the SR1211-3 Stationary Storage Rack, and the SR1211-4 Pallet Receiver on the SR1468 Power Lift.

General Specifications

- Tight, overlapping top closure design
- Bi-folding stainless steel hood, with handle, locks under table with spring-loaded action catches when table in use
- Center table drain with pre-strainer cover and secondary stand-pipe, basket-type strainer
- Two, stainless steel, adjustable, swivel book holders
- Stainless steel adjustable leg holder assembly
- Four 5-inch (12.7cm) swivel casters with brakes and swivel locks
- Tray grids to elevate body slightly above reservoir

Options

- Lock Assembly
- Drain assembly
- Adjustable flanged feet
- Extra book holder
- Extra leg suspension assembly
- Height adjustable
- Instrument drawer



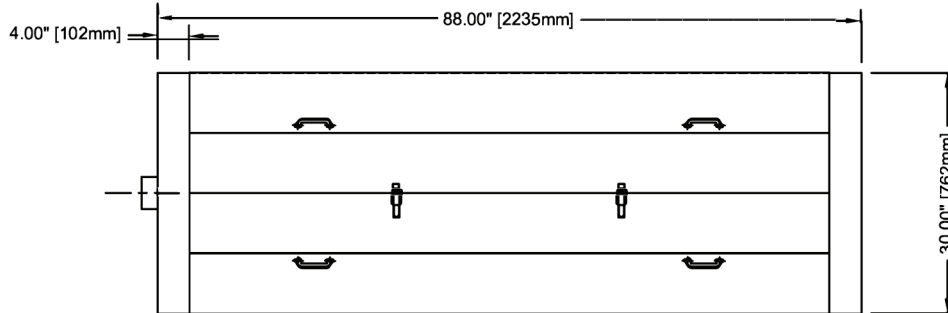
Elevation pump for height adjustment



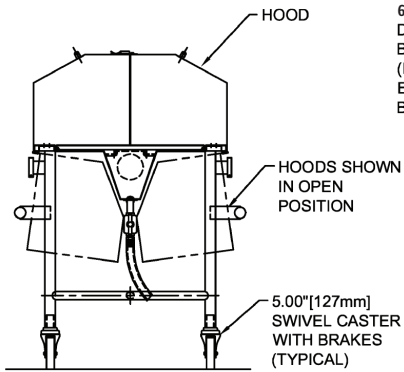
Vent stub for connection to facility exhaust

Representative Drawing

Top Views



End View



Front View

