

CSI JEWETT

Pathology Solutions

JGP4 Integrated Gross Pathology Work Station

Ensuring the right equipment for your pathology procedures

CSI Jewett JGP4 Gross Pathology Work Stations are designed to the highest quality and to meet your work center needs. Models feature all stainless steel construction and electric adjustable height control. The 12 inch electric height adjustment allows the work station to fit your height requirements. Ease of maintenance is achieved with the electric column actuator which works without moving parts. CSI Jewett JGP4 Pathology Work Stations can be custom designed to meet your exact facility requirements.

The unit offers an integral sink - measuring 16 inches long by 12 inches wide by 10 inches deep (406.4 x 304.8 x 254 mm) - with overflow protection and a tea strainer for small specimens. The chrome-plated brass faucet is wrist-operated providing hot and cold water flow control valves and a goose neck spout. A palm activated, chrome-plated brass low flow spray hose, for cold water control, is also included. The surface flush/rinse bar provides front mounted rinse and flush controls, ensuring the work surface is quickly and efficiently cleaned. Acrylic side panels protect against splatter and debris. Additionally a full width aluminum grill is adjustable and removable, providing proper ventilation.

General Specifications

- **Height adjustment:** work surface - 36" to 48" / overall unit - 78" to 90"
- **Direct ventilation exhaust duct** to connect to the building system
- **Top, back, sides and shelves** - 14 gauge type 304 stainless steel, polished on exposed and visible surfaces
- **Perforated dissecting tray** - 16 gauge polished type 304 stainless steel
- All plumbing fixtures have **vacuum breaker protection**
- Magnetic tool holder
- LED light above work surface



Rinse bar



Magnetic tool holder

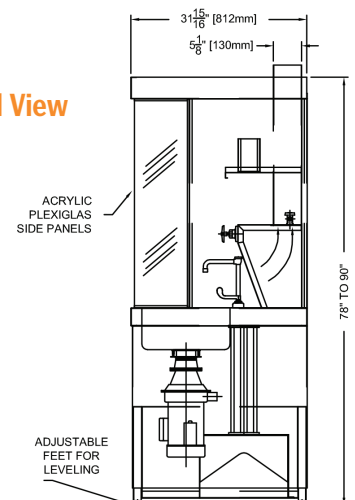
Options and Accessories

- Fixed height model
- Counter top model (no legs)
- Under sink waste bin – not available with disposer
- Side mounted waste bin – ventilated to exhaust
- Factory installed waste disposer with automatic water control - 1 hp motors are available (others on request)
- Recirculating air system with HEPA filter, UV light and pre-filter
- Rear mounted exhaust
- Stainless steel c-fold paper towel dispenser
- Hands free water controls – foot operated or infrared
- LED task light with flexible arm and magnifier
- Voice or foot activated dictaphone system (*pre-wiring for existing dictation system also available*)
- Metric standard ruler
- Polyethylene cutting board
- **Arms:** keyboard, monitor, camera
- Formalin dispenser and/or collection system
- Splash shield face protector
- Pencil drawer with integrated writing surface
- Form holder

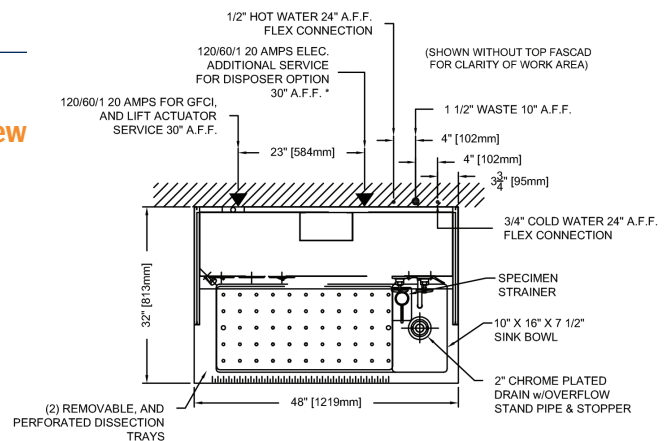
Note: Certain options may require the deletion of or prohibit other options. Please inquire concerning compatibility.

Representative Drawings

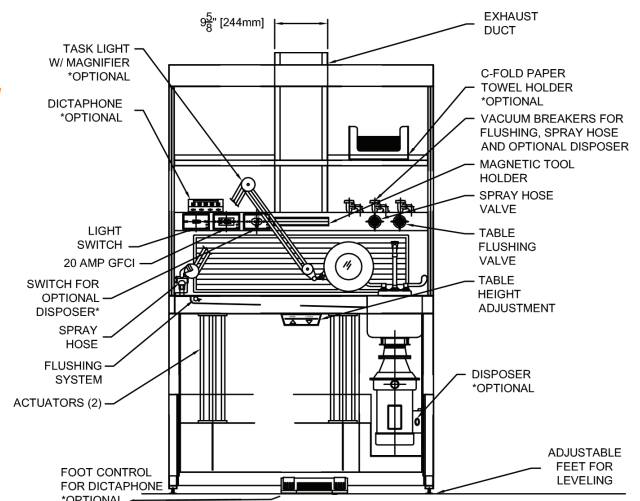
End View



Top View



Front View



MODEL SPECIFICATIONS

Sink

16" L x 12" W x 10" D
406.4 mm L x 304.8 mm W x 254 mm D

Unit

48" W x 78" H (lowered) | 90" H (raised) x 32" D
1219.2 mm W x 1981.2 mm H (lowered) |
2286 mm H (raised) x 812.8 mm D

To ensure that all of your autopsy procedures have the right equipment to meet your performance criteria, CSI Jewett offers a full range of autopsy tables and sinks that are ideal for hospitals and medical examiner facilities. Visit SPIRE-is.com to learn more.