

CSI JEWETT

Autopsy Solutions

Model DPV-L L-Shaped Deluxe Pedestal Ventilated Autopsy Table

Ensuring the right equipment for your autopsy procedures

The CSI JEWETT L-Shaped Deluxe Pedestal Ventilated Autopsy Table offers extensive storage to optimize space usage in the autopsy suite. The L-shaped design includes the model SR1089 Dissecting extension with a base cabinet for additional equipment storage.

The autopsy table is single-pedestal constructed and includes standard down-draft ventilation. The unit is constructed of welded, sanitary type 304 stainless steel with large radius inside corners for easy cleanup. It is manufactured without crevices, lapped edges, rivets, bolts or other fastening devices so that work surfaces remain smooth and prevent accumulation of bacteria. A 3/4 inch radius rolled edge provides superior strength to table top and inhibits the collection of fluid or debris on the underside of the table which has easy access for cleaning. The flanged type bullet feet are adjustable and constructed of sanitary stainless steel.

The unit offers a full-width, integral sink - measuring 14 inches long by 20 inches wide by 10 inches deep (356 x 508 x 254 mm) - with overflow protection and deck-mounted plumbing features. The faucet is wrist-operated with a chrome-plated brass faucet, providing hot and cold water flow control valves and a swivel goose neck spout. A center drain with pre-strainer cover and a secondary stand-pipe, basket type strainer is included.

General Specifications

- **Table height** - fixed at 35.5 inches (902 mm)
- **Down-draft ventilation system** - double-cone style
- **Single or two-piece construction**, left or right configurations for maximum flexibility
- **Reverse-flow hydro-aspirator with built-in vacuum breaker** - hot and cold water flow control, 10 feet (3.05 meters) of PVC hose, hose storage rack, anti-aerosol waste outlet
- **Sliding body supports** - (2) 14-gauge, 6-inch (15.2 cm) wide, solid stainless steel
- **PVC headrest** - adjustable, six-positions



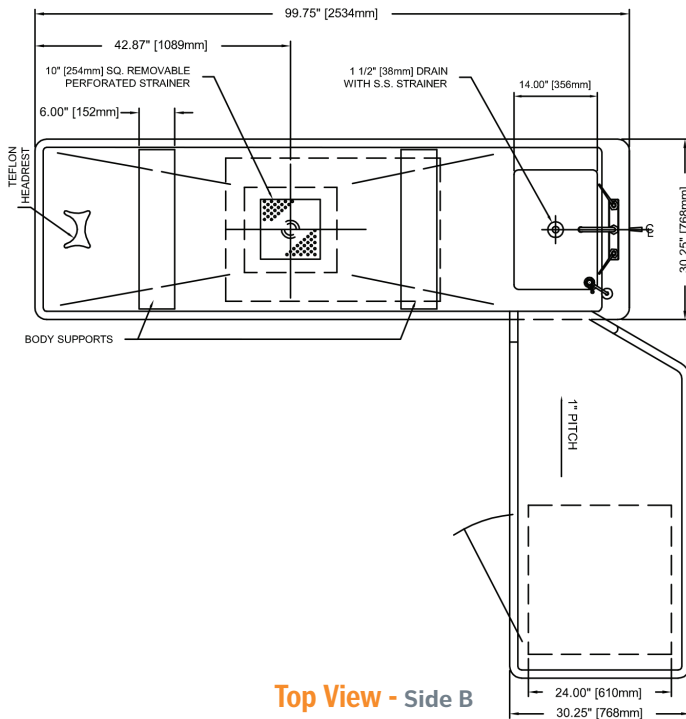
Hydro-aspirator



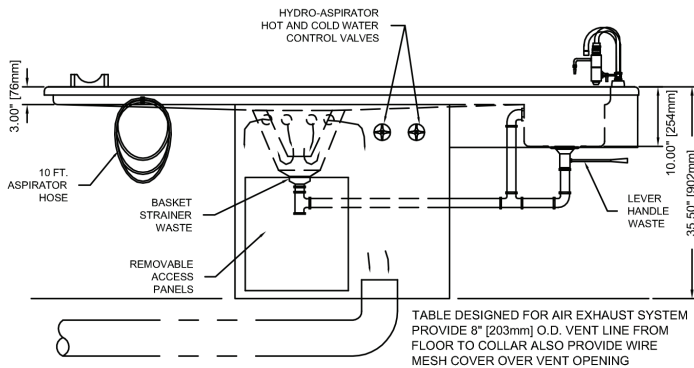
Wrist-operated faucet

Representative Drawings

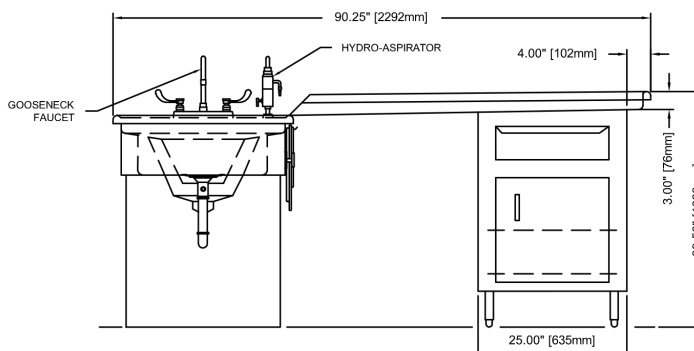
Top View - Side A



Front View - Side A



Front View - Side B



MODEL SPECIFICATIONS

Sinks

14" L x 20" W x 10" D
356 mm L x 508 mm W x 254 mm D

Unit

Side A:
99.75" L x 30.25" W x 35.5" H
2534 mm L x 768 mm W x 902 mm H

Side B:
90.25" L x 30.25" W x 39.5" H
2292 mm L x 768 mm W x 1003 mm H

Options and Accessories

- Removable perimeter flushing system (SR1092)
- Extension without cabinet (SR1090)
- Extra-wide stainless steel body supports - 6", 12", 18" Wide (152, 305, 457 mm) - solid (SR2711S) or perforated (SR2711) surface
- Graduated table edge in centimeters or inches (SR1079)
- Adjustable bracket for hanging an organ scale
- Factory-installed waste disposer with automatic water control - 1 hp motors are available (others on request)
- Emergency eye wash
- Air, gas and vacuum valves (SR2147-02)
- Duplex waterproof electrical GFCI outlet (SR1081)
- Spray hose assembly (SR1966)
- Stainless steel instrument tray (SR999)
- Thermo-plastic cutting board (SR965)

To ensure that all of your autopsy procedures have the right equipment to meet your performance criteria, CSI JEWETT offers a full range of autopsy tables and sinks that are ideal for hospitals and medical examiner facilities. Visit SPIRE-is.com to learn more.