

CSI JEWETT

Autopsy Solutions

Model DPEM Deluxe Pedestal Autopsy Table



Ensuring the right equipment for your autopsy procedures

The CSI Jewett DPEM Deluxe Adjustable-Height Autopsy Table is designed so the pathologist can set their own comfortable working height. The DPEM is constructed of welded, sanitary type 304 stainless steel with large radius inside corners for easy cleanup. Manufactured without crevices, lapped edges, rivets, bolts or other fastening devices, the table work surfaces remain smooth while preventing accumulation of bacteria. A 3/4 inch radius rolled edge provides superior strength to the table top and inhibits the collection of fluid or debris on the underside of the table which has easy access for cleaning. The electro-mechanical design utilizes dual column actuators to ensure table stability and eliminate table lock-up under heavy loads.

Spire at your side

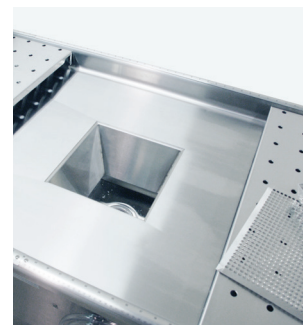
The unit offers a full-width, integral sink - measuring 14 inches long by 20 inches wide by 10 inches deep (355.6 x 508 x 254 mm) - with overflow protection and deck-mounted plumbing features. The faucet is wrist-operated with a chrome-plated brass faucet, providing hot and cold water flow control valves and a swivel goose neck spout. A center drain with pre-strainer cover and a secondary stand-pipe, basket type strainer is included. Additionally a lever handle provides waste drain control for the sink (deleted with disposer). Units are NTRL Listed to UL 61010-2.

General Specifications

- **Table height adjusts 8"** (from 32" to 40") with easy push-button height controls, 1000 pound capacity
- **Down-draft ventilation system** - double-cone style
- **Reverse-flow hydro-aspirator with built-in vacuum breaker** - hot and cold water flow control, 10 feet (3.05 meters) of PVC hose, hose storage rack, anti-aerosol waste outlet
- **Sliding body supports** - (2) 14-gauge, 6-inch (152 mm) wide, solid stainless steel
- **PVC headrest** - adjustable, six-positions
- **Body and Basin** - 14 gauge type 304 welded, polished stainless steel



Hydro-aspirator



Double-cone down-draft

Options and Accessories

- Removable perimeter flushing system (SR1092)
- Extra-wide stainless steel body supports - 6", 12", 18" Wide (152, 305, 457 mm) - solid (SR2711S) or perforated (SR2711) surface
- Graduated table edge in centimeters or inches (SR1079)
- Adjustable bracket for hanging an organ scale
- Factory-installed waste disposer with automatic water control - 1 hp motors are available (others on request)
- Emergency eye wash
- Air, gas and vacuum valves (SR2147-02)
- Duplex waterproof electrical GFCI outlet (SR1081)
- Spray hose assembly (SR1966)
- Stainless steel instrument tray (SR999)
- Thermo-plastic cutting board (SR965)
- Custom fabrication

MODEL SPECIFICATIONS

Sink

14" L x 20" W x 10" D
355.6 mm L x 508 mm W x 254 mm D

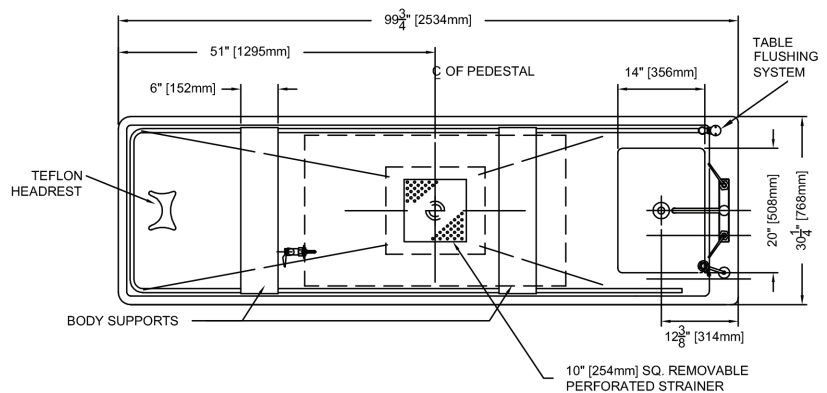
Unit

99.75" L x 30.25" W x 35.5" H
2534 mm L x 768 mm W x 902 mm H

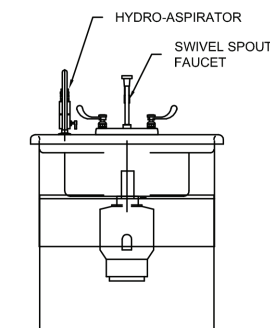
To ensure that all of your autopsy procedures have the right equipment to meet your performance criteria, CSI JEWETT offers a full range of autopsy tables and sinks that are ideal for hospitals and medical examiner facilities. Visit SPIRE-is.com to learn more.

Representative Drawings

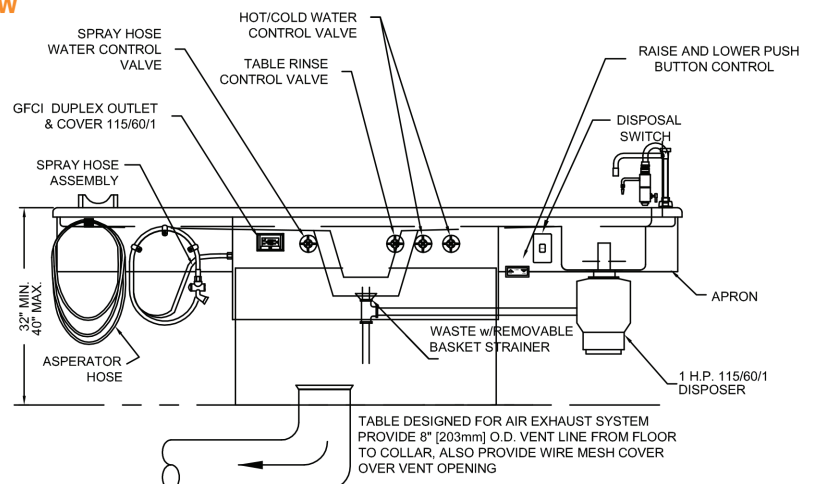
Top View



End View



Front View



DPEM Deluxe Pedestal Autopsy Table Sell Sheet_M1061_1.00 2021-0429