

CSI JEWETT

Autopsy Solutions

Model D Deluxe Autopsy Table



Ensuring the right equipment for your autopsy procedures

The CSI JEWETT D Deluxe Model Autopsy Table is constructed of welded, sanitary type 304 stainless steel with large radius inside corners for easy cleanup. Manufactured without crevices, lapped edges, rivets, bolts or other fastening devices, the table work surfaces remain smooth while preventing accumulation of bacteria. A 3/4 inch radius rolled edge provides superior strength to the table top and inhibits the collection of fluid or debris on the underside of the table which has easy access for cleaning. The flanged type bullet feet are adjustable and constructed of sanitary stainless steel.

Spire at your side

The unit offers a full-width, integral sink - measuring 14 inches long by 20 inches wide by 10 inches deep (355.6 x 508 x 254 mm) - with overflow protection and deck-mounted plumbing features. The faucet is wrist-operated with a chrome-plated brass faucet, providing hot and cold water flow control valves and a swivel goose neck spout. A center drain with pre-strainer cover and a secondary stand-pipe, basket type strainer is included. Additionally a 1.5-inch (38 mm) lever handle provides waste drain control.

General Specifications

- **Reverse-flow hydro-aspirator with built-in vacuum breaker** - hot and cold water flow control, 10 feet (3.05 meters) of PVC hose, hose storage rack, anti-aerosol waste outlet
- **Sliding body supports** - (2) 14-gauge, 6-inch (152 mm) wide, solid stainless steel
- **PVC headrest** - adjustable, six-positions
- **Body and Basin** - 14 gauge type 304 welded, polished stainless steel
- **Legs** - 1 5/8" O.D. 16 GA polished stainless steel



Hydro-aspirator



Wrist-operated faucet

Options and Accessories

- Removable perimeter flushing system (SR1092)
- Extra-wide stainless steel body supports - 6", 12", 18" Wide (152, 305, 457 mm) - solid (SR2711S) or perforated (SR2711) surface
- Graduated table edge in centimeters or inches (SR1079)
- Adjustable bracket for hanging an organ scale
- Factory-installed waste disposer with automatic water control - 1 hp motors are available (others on request)
- Emergency eye wash
- Air, gas and vacuum valves (SR2147-02)
- Duplex waterproof electrical GFCI outlet (SR1081)
- Spray hose assembly (SR1966)
- Double-bowl sink
- Stainless steel instrument tray (SR999)
- Thermo-plastic cutting board (SR965)

MODEL SPECIFICATIONS

Sink

14" L x 20" W x 10" D
355.6 mm L x 508 mm W x 254 mm D

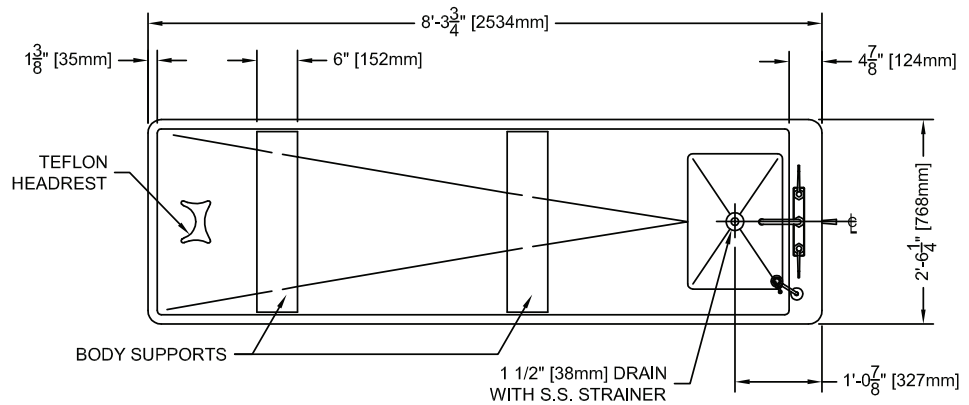
Unit

99.75" L x 30.25" W x 35.5" H
2534 mm L x 768 mm W x 902 mm H

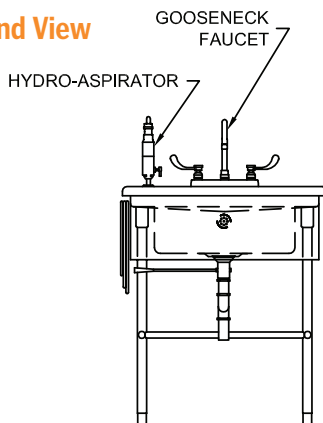
To ensure that all of your autopsy procedures have the right equipment to meet your performance criteria, CSI JEWETT offers a full range of autopsy tables and sinks that are ideal for hospitals and medical examiner facilities. Visit SPIRE-is.com to learn more.

Representative Drawings

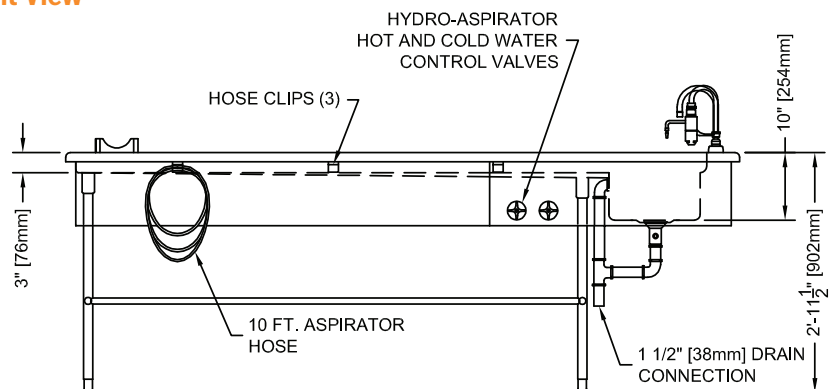
Top View



End View



Front View



D Autopsy Table Sell Sheet_M1014_1.00 2021-0127