



CSI JEWETT

Gross Anatomy Dissecting Table

Model SR1211-1

Ensuring efficiency for all of your dissection needs

The SR1211-1 Gross Anatomy Dissecting Table is a popular choice for teaching institutions. Its fold-away top allows versatility in body examination and storage. When the top is closed, the table provides a moist environment while keeping preservative vapors confined. During examination, the top folds within the dimensions of the table, allowing full access to the body. To create a complete body storage system the SR1211-1 can be combined with the SR1211-2 Multi-Tiered Mobile Cart or the SR1211-3 Stationary Storage Rack, and the SR1211-4 Pallet Receiver on the SR1468 Power Lift.

General Specifications

- Tight, overlapping top closure design
- Bi-folding stainless steel hood, with handle, locks under table with spring-loaded action catches when table in use
- Table drain with outlet with PVC ball valve
- Two, stainless steel, adjustable, swivel book holders
- Stainless steel adjustable leg holder assembly
- Four 5-inch (12.7cm) swivel casters with brakes and swivel locks
- Tray grids to elevate body slightly above reservoir

Options

- Lock Assembly
- Adjustable flanged feet
- Extra book holder
- Extra leg support assembly
- Down draft ventilation see model SR1211-6
- Height adjustable
- Instrument drawer
- Fluid collection bucket
- Collection carboy
- Storage shelf
- Custom fabrication



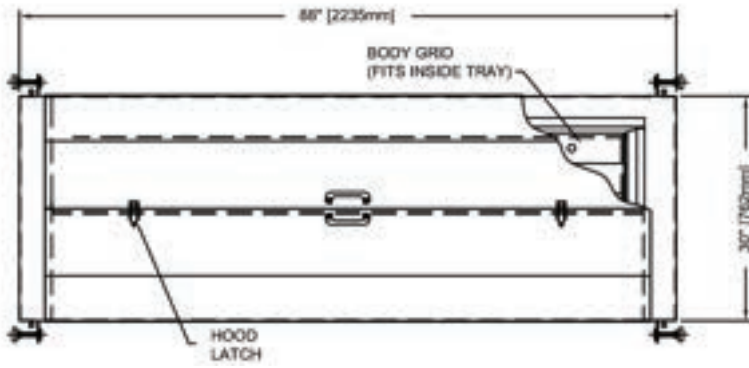
Elevation pump for height adjustment (optional)



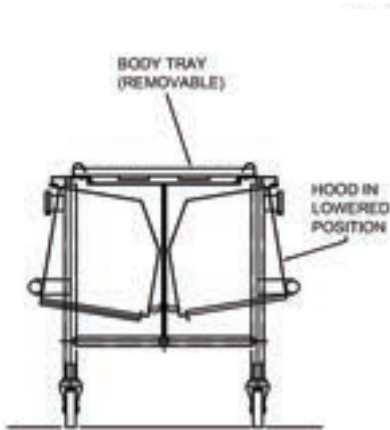
Instrument drawer (optional)

Representative Drawing

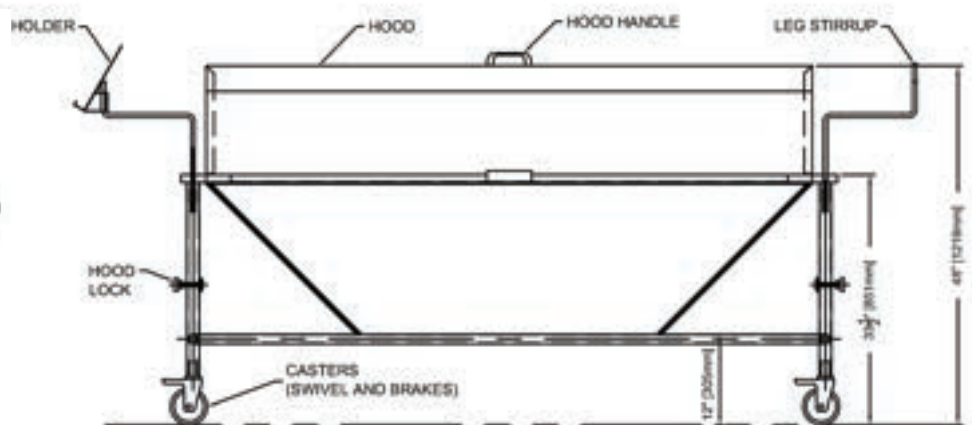
Top View



End View



Front View



SR1211-1 Gross Anatomy Dissecting Table Sell Sheet_M1035_1.00 2021-0303