

SPD Solutions

Scrub Sinks

3 Models to choose from: Elevate your sterile processing department's hygiene and efficiency with CSI Jewett SSS Series scrub sinks, available from Spire Integrated Solutions.

These meticulously engineered sinks are designed to meet the demanding needs of surgical environments, offering:

American made craftsmanship

Superior hygiene Promote optimal infection control with hands-free operation, seamless construction, and easy-to-clean surfaces that minimize bacterial growth.

Enhanced comfort Improve staff well-being with adjustable features, spacious basins, and ergonomic design that reduces strain during prolonged use.

Configure it your way Tailor your sink to your specific needs with a wide range of options, including basin size, faucet type, and accessory integration.



SS2C
64" x 25" x 34"

Covered corners reduce splashing.

Increased efficiency Streamline workflows with thoughtfully designed features that optimize scrubbing procedures and minimize downtime.

Lasting durability Invest in long-term reliability with robust construction and high-quality materials built to withstand the rigors of sterile processing.

CSI Jewett SSS Series scrub sinks from Spire Integrated Solutions empower your sterile processing department to achieve the highest standards of hygiene, efficiency, and staff comfort.

MODEL SPECIFICATIONS (W x D x H)

SSS1C
31" x 25" x 34"

SSS2C
64" x 25" x 34"

SSS3C
94" x 25" x 34"

Available in one, two or three bays.

SSS1C
31" x 25" x 34"



Features

A thermostatically controlled mixing valve provides selection of water temperature up to 115° F (46° C) and features a static sensing probe, hot and cold water controls, and internal strainers.

Construction

- All plumbing hardware is brass and copper, or chrome plated where exposed.
- The sink basin is fabricated from 16 gauge type 304 polished stainless steel, with all other exposed surfaces of 18 gauge polished stainless steel.
- Exposed welds are ground and polished to blend with adjacent surfaces. With coved corners and radius edges, the sink basin is designed to reduce splashing and flush away waste.
- The sink bottom is sloped to a large 2" drain (2 drains are provided on the SSS3C).
- The unit is designed with anti-splash end panels and Plexiglas dividers on multi-bay sinks.
- Sinks have a water spray nozzle positioned at each bay to direct the splash away from the user.
- The spray nozzle protrudes approximately 3" from the front of the shelf, is adjustable for different angles of spray and is removable for sterilization.
- An access door is located below each of the basins allowing complete unhampered access to the plumbing fixtures from the front of the surgical scrub sinks.
- The upswing hinged access doors are held open by a support rod.
- All sink units are pre-wired and plumbed at the factory. Electronic components are UL Listed and pre-wired.



Thermostatically controlled mixing valve



Swivel Aerated Nozzle



#B8-J-81 5@9A D9F5H F9
7CBHFC@D9F G7H 6 65M

Options



Eye wash



Knee-activated water flow & soap dispensing

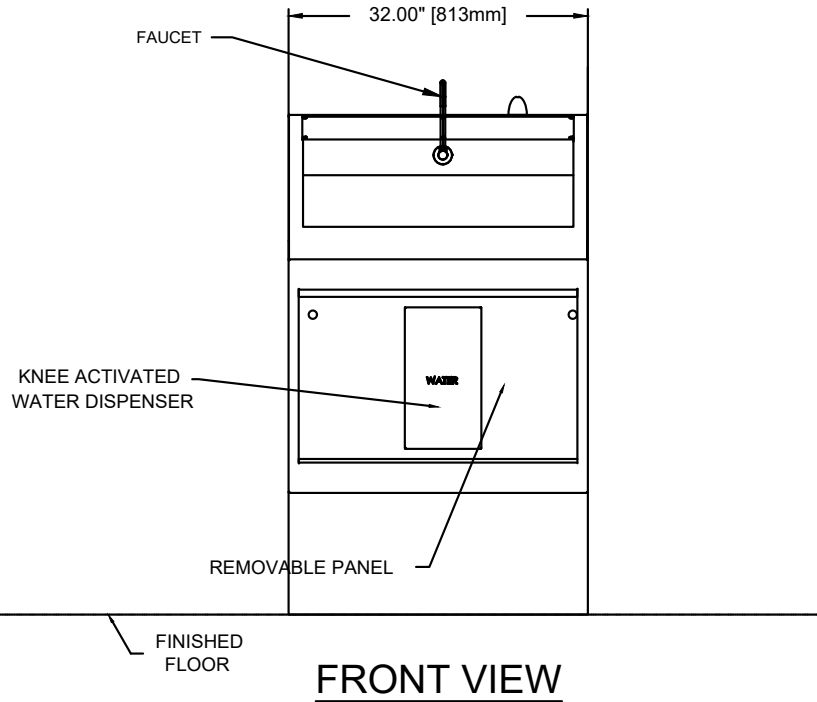
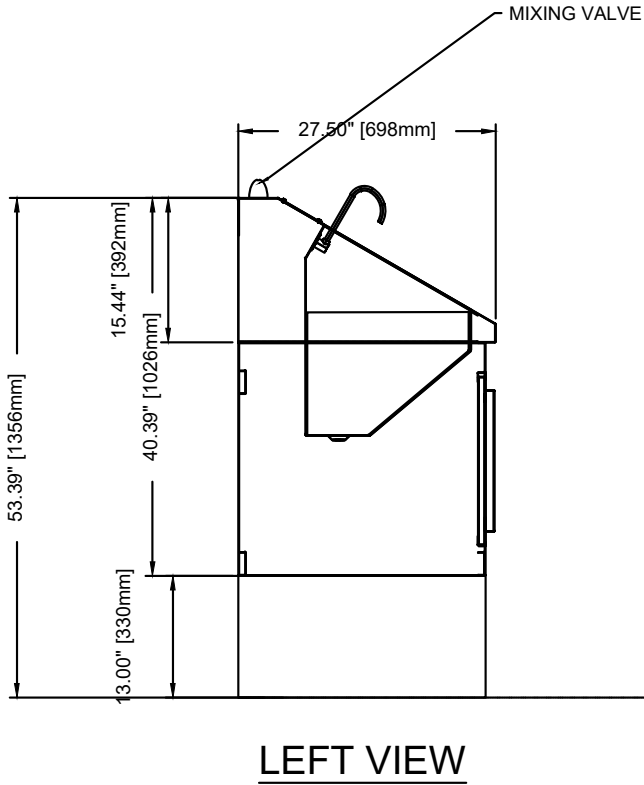
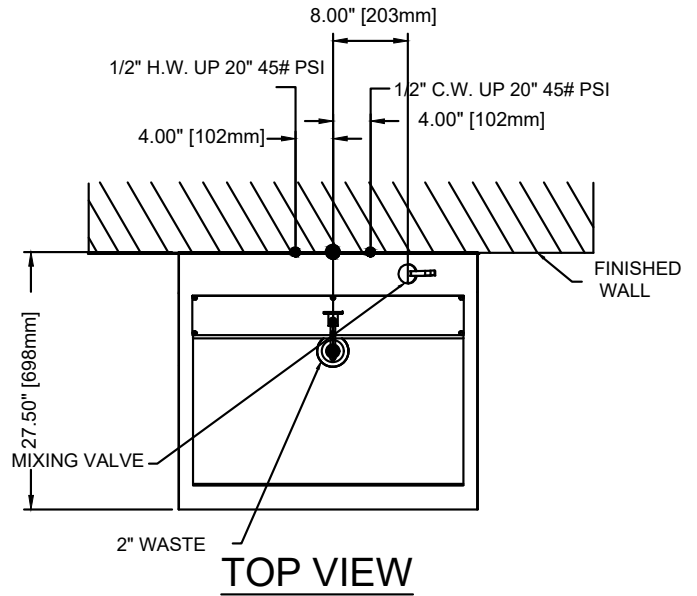
- Automatic timed scrub cycle
- Proximity sensors to control water flow
- Pedestal base
- Recessed lighting
- Seismic anchoring

Utility Requirements

- 1/2" NPT hot and cold water supply lines
- 1-1/2" NPT direct waste to closed trapped drain line
- 120 Volt, Single Phase, 5 Amp service



SSS1C SHOWN



[Click to review the 2 bay drawing](#)

[Click to review the 3 bay drawing](#)