

CPS-HC-FRS-30
Product Description

This 30 cu. ft. flammable storage refrigerator offers a secure solution for storing volatile materials in laboratory and industrial settings. Utilizing EPA SNAP compliant hydrocarbon refrigerants, this unit minimizes environmental impact while maximizing energy efficiency. This refrigerator provides precise temperature control through microprocessor technology. Enjoy tight temperature uniformity with an operation range of 2°C to 10°C. It features a durable white powder-coated steel exterior, with a keyed door lock for added security. Adjustable interior shelving allows for versatile organization. Keep your samples protected with audible and visual high/low-temperature alarms and a door ajar alarm with remote contacts. With its low energy consumption and enhanced safety features, the CPS-HC-FRS-30 delivers reliable operation for the safe storage of flammable substances.

Images

Certifications

General Description and Application

| | |
|----------------------------------|--|
| Storage capacity (cu. ft) | 30 Cu. Ft. |
| Door | One solid swing, right hinged; stainless steel door handle; magnetic door gasket |
| Shelves | Five adjustable |
| Drawers | Non-applicable |
| Mounting and Installation | Leveling Legs |
| Interior lighting | Non-applicable |
| Airflow Management | Forced draft circulation |
| External probe access | 3/4" probe access port on rear wall |
| Insulation | EPA compliant high density urethane foam |
| Exterior materials | Powder coated steel |
| Access control | Keyed door lock |
| General warranty | Two (2) year parts and labor warranty |
| Compressor warranty | Five (5) year compressor parts warranty |
| Product Weight (lbs) | 330 |
| Shipping Weight (lbs) | 360 |
| Rated Amperage | 3.1 Amps |
| Power Plug/Power Cord | NEMA 5-15P plug, 6 ft long cord |
| Facility Electrical Requirement | 110 - 120V AC, 15A breaker, NEMA 5-15 receptacle |
| Agency Listing and Certification | UL listed per UL 60335-1 and UL 60335-2-89 standards; c UL listed per CSA C22.2 No. 120 standard, in compliance with the requirements for Flammable Materials Storage Refrigerators as defined by NFPA 99 and 45 |

Performance

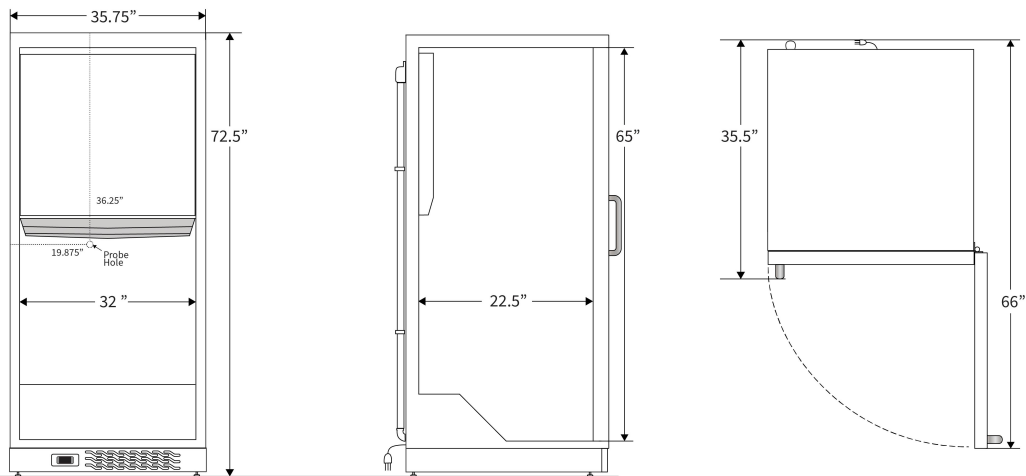
| | |
|---|-----------------|
| Uniformity (Cabinet air) | +/- 1.6°C |
| Stability (Cabinet air) | +/- 1.0°C |
| Maximum temperature variation (Cabinet air) | 3.6 °C Total |
| Energy Consumption (KWh/day) | < 1.5 KWh/day |
| Average Heat Rejection (BTU/hr) | 500 BTU/hr |
| Pull down time to nominal operating temp | <35 min (empty) |

Performance data based on an empty chamber at steady state using buffered temperature probes per Energy Star test method for Laboratory Grade Refrigerators and Freezers. Product loading, door openings, and ambient conditions will affect performance.

| Refrigeration System | |
|----------------------|--|
| Compressor | Hermetic, variable speed |
| Refrigerant | EPA SNAP compliant R600a Isobutane |
| Condenser | Static - exterior walls of cabinet |
| Evaporator | Fin and tube design, high efficiency fan, hazardous location rated |
| Defrost | Off-cycle defrost, no heat added |

| Controller, Configuration, Alarms and Monitoring | |
|--|--|
| Controller technology | Microprocessor temperature controller with variable frequency compressor control |
| Battery Backup | Optional accessory |
| Temperature Setpoint Range Notes | Minimum temperature limited to avoid freezing |
| Adjustable Temperature Range | 2°C to 10°C |
| External alarm connection | Remote alarm contacts |
| Alarms | Audible and visual high/low-temperature alarms, Door ajar alarm, Remote alarm contacts |
| Display Probe | Product simulator bottle with glass bead media |
| Disclaimers | Refrigerator requires a minimum 4" of clearance around back and sides of the unit for proper ventilation (more if next to heat rejecting equipment) - improper installation will void the warranty and will lead to temperature maintenance issues, overheating and possible failure |

| Dimensions | | | | | |
|------------|-------------|-------------|--------------|------------------|------------------------|
| | Width (in.) | Depth (in.) | Height (in.) | Door Swing (in.) | Total open Depth (in.) |
| Exterior | 35.75" | 35.5" | 72.5" | 30.5" | 66" |
| Interior | 32" | 22.5" | 65" | | |



| Contact | | |
|-------------------|---------------------------------------|--|
| Customer Service | 800-648-4041 Option 3 | customerservice@horizonscientific.com |
| Technical Service | 800-648-4041 Option 5, Parts Option 4 | technicalservice@horizonscientific.com |

Rev_07232025