



Sterile Processing Solutions Prep & Pack Tables

4 Models of Precision-Engineered Prep and Pack Tables for High-Volume Sterile Processing.

Model	Unit Dimensions W x D x H inches
SWT3060	30 x 60 x 72
SWT3660	36 x 60 x 72
SWT3072	30 x 72 x 72
SWT3660	36 x 60 x 72

Ergonomic Integration: Designed to reduce technician fatigue during repetitive inspection and assembly tasks.

Aseptic Surfaces: Heavy-duty stainless steel construction with polished welds to eliminate microbial reservoirs and simplify sanitation.

Modular Utility: Integrated power strips, overhead lighting, and adjustable shelving to centralize essential wrapping and testing supplies.

Durability and Compliance: Built to withstand the rigorous chemical disinfection protocols required in modern SPD environments.

Features

- All welds are helical, ground smooth, passivated
- LED lighting over work surface
- (2) GFCI receptacle strips with power switch
- (3) adjustable shelves and (1) pegboard
- Leveling casters
- Fully-welded leg structures
- Manual height adjustment

Options

- 316 stainless steel - more chemical resistance!
- Stainless steel drawers
- Electric height adjustment
- Monitor arms
- Slide out keyboard drawer
- Adjustable sloped book rest
- LED magnifying, swing arm task light
- Pull out writing surface
- Base cabinets
- Bin rail
- Magnetic tool bar
- Magnetic whiteboard

Construction

- Smooth 304 stainless steel
- Large radius corners for easy cleanup.
- No crevices, lapped edges, rivets, bolts or other fasteners.

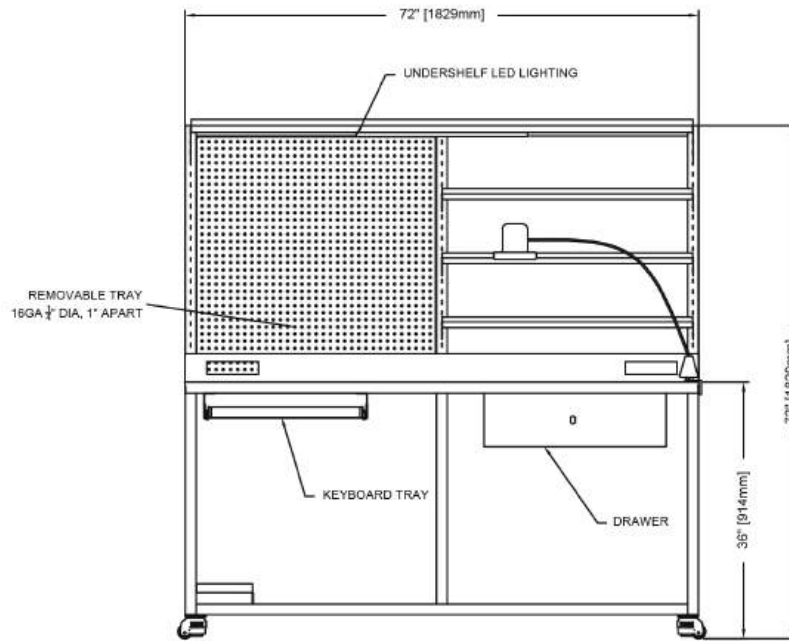


(Standard)
(3) adjustable shelves
(1) pegboard

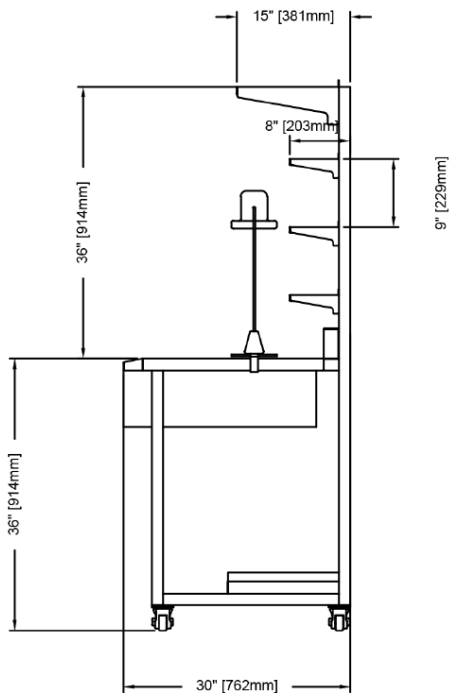


(Optional)
Adjustable arm LED task light

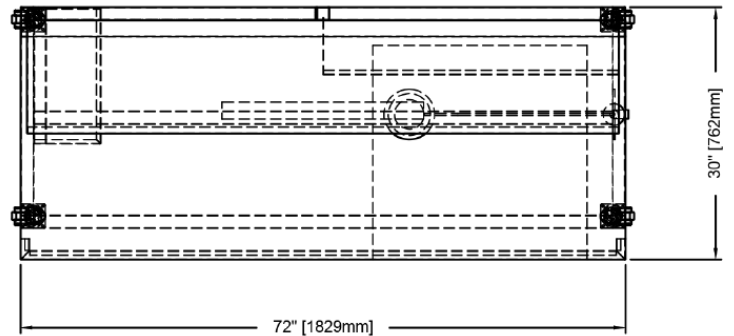
Drawings



Front view



Side view



Top view