



-86 ULTRALOW TEMPERATURE FREEZER

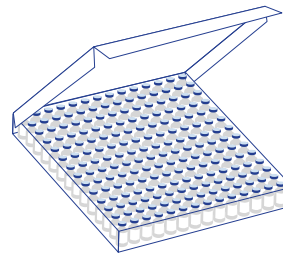
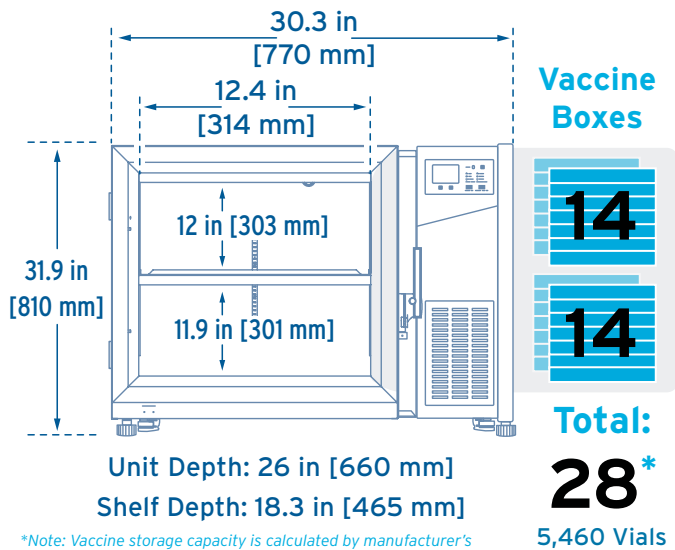
NEW Model NU-99100J

Ultralow Under-Counter Freezer

The NuAire Mini-Blizzard -86°C Ultralow Freezer features reliable performance for the storage of stem cells, blood & tissue samples, and vaccine vials while occupying the smallest space among our ultralow freezers. The NU-99100J model now features uniform temperature control up to 1°C, a simplified LED display screen, a quadruple gasketed outer door, 2 interior steel mini-doors, and produces visual/audible alarms. The quiet compressor motor utilizes non-toxic Hydrocarbon refrigerants and operates under 47 dB(A) while continuously maximizing energy efficiency.



Storage Capacity: 100 L (3.5 ft³)



1 Box = 195 Vials

Box Width: 9" [229 mm]
Box Depth: 9" [229 mm]
Box Height: 1.6" [41 mm]



1 Vial = 5 Doses

**Note: 2 Doses are needed to inoculate 1 person*

Model	Configuration	Storage Capacity	Interior Dimensions (W x D x H)	Exterior Dimensions (W x D x H)	Temperature Range	Net Weight	Electrical Configurations
NU-99100J	Under-Counter	3.5 cu ft [100 L]	13 x 18.9 x 24.8 in [330 x 481 x 630 mm]	30.2 x 26 x 31.9 in [770 x 660 x 810 mm]	-40°C to -86°C	238 lbs [108 kg]	120 VAC/60 Hz 240 VAC/50 Hz



More Information
or Request a
Quote at

www2.nuaire.com/blizzard-ultralow-freezer-nu-99100j



NuAire, Inc. | 2100 Fernbrook Lane | Plymouth, MN 55447 | U.S.A. | www.nuaire.com

20-1583-F-G-EN-1-0121 © Copyright 2021. NuAire, Inc. All Rights Reserved.

NU-99100J UNDER-COUNTER

Capacity: 3.5 ft³ / 100 L

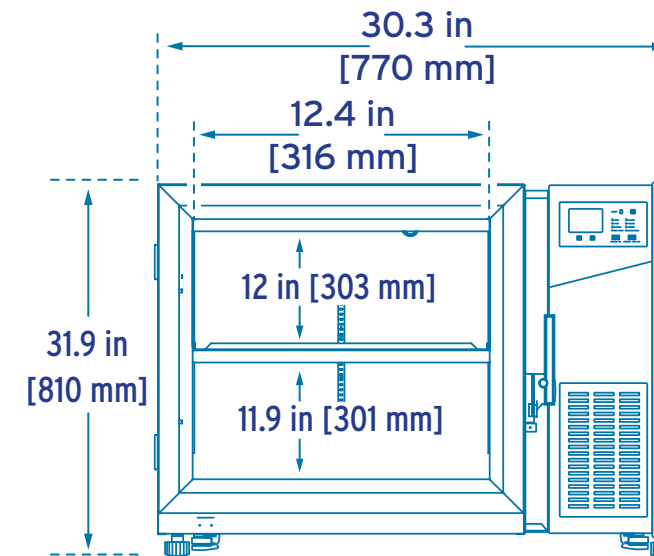
The **Blizzard HC (Hydrocarbon) -86°C Under-Counter Ultralow Mini-Freezer** features reliable performance for the storage of stem cells, blood & tissue samples, and vaccine vials while occupying the smallest space among our ultralow freezers. The NU-99100J also fits under standard counters, which is ideal for small pharmacies and labs with limited floorspace available for cold-storage.

Blizzard NU-99100J Specifications	
Configuration	Under-Counter
Storage Capacity	3.5 ft ³ [100 L]
Temperature Range	-40°C to -86°C
Certifications	UL listed, CE
Interior Dimensions (W x D x H)	13 x 18.9 x 24.8 in [330 x 481 x 630 mm]
Exterior Dimensions (W x D x H)	30.3 x 26 x 31.9 in [770 x 660 x 810 mm]
Net Weight	238 lbs [108 kg]
Temperature Uniformity	±5°C
Temperature Accuracy	±1°C
Cool Down Time (25°C Ambient to -80°C)	310 Minutes
Warm Up Time (-80°C to -50°C)	120 Minutes
1 min Door Open Recovery Time (25°C Ambient; -75°C Setpoint)	100 Minutes
Noise Level	Up to 47 dba
Electrical*	GA = 120 V / 60 Hz / 680 W E = 230 V / 50 Hz / 680 W
Power Consumption	5.5 kWh/day
Insulation	VIP + High Density Polyurethane Foam
Door Seal	Outer: Quadruple Silicone Gasket Inner: No Seal
Number of Inner Doors	2 Stainless Steel w/ Magnetic Latch
Shelf Info (W x D)	1 Adjustable Stainless Steel Shelf 12.4 x 16.7 in [316 x 424 mm] Max Weight: 30 lbs [13.6 kg]
Casters	4 One-Direction Casters w/ 2 Front Leg Levelers
Exterior Material	Zinc-Coated Steel w/ Matte Finish
Interior Material	Zinc-Coated Steel
Enclosure Thickness	2.75 in [70 mm]
Door Thickness	Outer: 3.5 in [90 mm] Inner: 0.1 in [3 mm]
Condenser Type	Enhanced Micro-Channel & Forced-Air Cooled
Refrigeration System Type	Air Cooling
Compressor Type / Brand / Number	Hermetic Reciprocating / SECOP / 1
Compressor Capacity	950 W
Evaporator Type	Cold Wall w/ Enhanced Heat Transfer Treatment
Defrost Method	Manual
Refrigerant Charge / Flammable	R600A + R1150 + R50 Blend / Flammable
Controller Type	Microprocessor Control, LED Display, USB Data Export
Setpoint Security	Yes
Remote Data Terminals	Remote Alarm + RS485 Ports
Power Cord Length	8.2 ft [2.5 m]

*Note: Add letter suffix to model number to indicate electrical specifications. (ex. NU-99100JE = 230V / 50Hz / 680W)

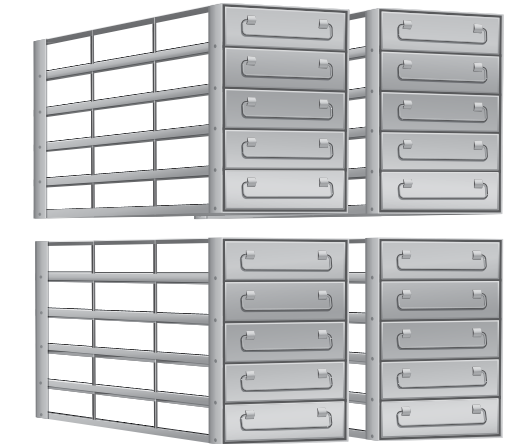
Freezer Rack Capacity:
NU-99100J Under-Counter ULT

4 Racks (5 Rows x 3 Columns)
60 Boxes (2 in [5 cm])
6,000 Vials (2 mL)



Unit Depth: 26 in [660 mm]
Shelf Depth: 16.7 in [424 mm]

Electrical:
115V / 60Hz
230V / 50Hz



Scan or click QR code to learn more online at www.nuaire.com

3 YEAR WARRANTY
PARTS + LABOR
United States & Canada

*Contact your local NuAire distributor for international warranty details.

