



CSI JEWETT

SPIRE INTEGRATED SOLUTIONS



Necropsy Solutions
Spire Life Sciences

AR943 NECROPSY TABLE

The AR943 Gross Pathology Sink, shown with optional base cabinet, is well-suited for tissue preparation, organ dissection, slide preparation, specimen examination and other procedures. The durable, economical work station is the popular and preferred choice of histologists worldwide. Its full-width air vent helps reduce airborne particles commonly found in this area. The AR943 can easily be configured with sizes and features to meet any facilities needs.

GENERAL SPECIFICATIONS :

- Sink top, basin, drain board and backsplash are made from 14-gauge Type 304L stainless steel with large radius inside corners for easy cleaning.
- Removable stainless steel dissecting grid plate, located over the drain trough, with flushing system
- Polished surface for easy cleaning
- Heavy-gauge polished stainless steel legs and welded cross rails to handle heavy usage
- Large capacity 10 inch x 42 inch multi-directional adjustable ventilation grill
- Stainless steel spray hose
- Wrist-operated, chrome-plated brass faucets with hot and cold water control valves and swivel gooseneck spout
- LED light with switch
- Lever-handle waste drain control

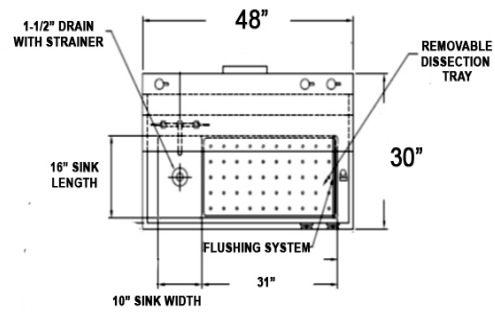
OPTIONS and ACCESSORIES :

- Base cabinet
- Adjustable height
- 316 Stainless Steel Fabrication
- Waste disposer
- GFCI Outlet
- Scale bracket
- Emergency eye wash
- Magnifier light
- Down draft ventilation
- Flanged feet
- Camera arm
- Computer arm
- Stainless or Mylar Ruler
- Air, gas and vacuum valves (SR2147-02)
- Custom lengths & configurations

AR943 NECROPSY TABLE



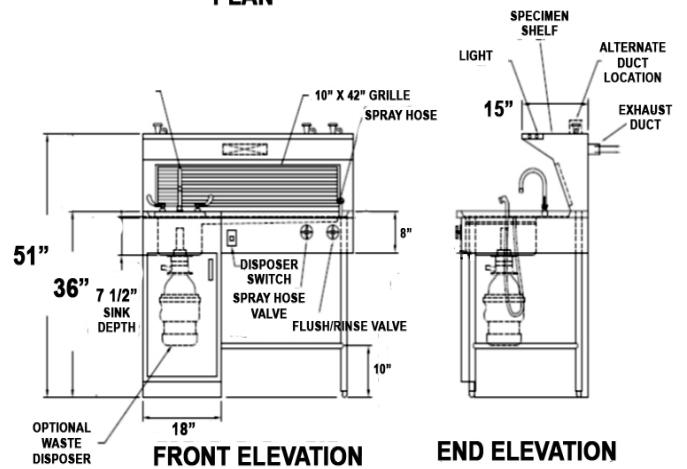
Stainless Steel spray hose with Low Flow Rinse



PLAN



Rinse bar located under work surface.



FRONT ELEVATION

END ELEVATION

JNT SERIES NECROPSY & GROSSING WORK STATIONS

The CSI/Jewett JNT Series necropsy workstations are well-suited for tissue preparation, organ dissection, slide preparation, specimen examination and other procedures. The durable, economical work station is the popular and preferred choice of histologists worldwide. The downdraft work surface helps reduce airborne particles commonly found in this area.

GENERAL SPECIFICATIONS :

- Sink top, basin, drain board and backsplash are made of one-piece, welded, 14-gauge stainless steel
- Removable stainless steel dissecting grid plates, located over the drain trough, with flushing system
- Exhaust connection with adjustable damper
- Polished surface for easy cleaning
- Wrist-operated, chrome-plated brass faucets with hot and cold water control valves and swivel gooseneck spout
- Lever-handle waste drain control for the sink
- Heavy-gauge polished stainless steel legs and welded cross rails to handle heavy usage
- Welded sanitary Type 304 stainless steel construction with large radius inside corners for easy cleaning.

OPTIONS and ACCESSORIES :

- 316 Stainless Construction
- Elevating Work Surface
- Spray hose with palm operated water control
- Waste Disposers—1/2 to 1 1/2 HP
- Task light with switch – various models available
- Base cabinet
- Adjustable height
- Waste disposer
- GFCI Outlet
- Scale bracket
- Emergency eye wash
- Air, gas and vacuum valves (SR2147-02)
- Custom Fabrication to meet your facility's requirements

JNT SERIES NECROPSY & GROSSING WORK STATIONS



JD SERIES NECROPSY STATIONS

The CSI/Jewett JD Series necropsy workstations are well-suited for tissue preparation, organ dissection, slide preparation, specimen examination and other procedures. The durable, economical work station is the popular and preferred choice of histologists worldwide. The downdraft work surface helps reduce airborne particles commonly found in this area.

GENERAL SPECIFICATIONS :

- Sink top, basin, drain board and backsplash are made of one-piece, welded, 14-gauge stainless steel
- Welded sanitary Type 316 stainless steel construction with large radius inside corners for easy cleaning.
- Removable stainless steel dissecting grid plates, located over the drain trough.
- Exhaust connection with adjustable damper
- Polished surface for easy cleaning
- Wrist-operated, chrome-plated brass faucets with hot and cold water control valves and swivel gooseneck spout
- Lever-handle waste drain control for the sink
- Heavy-gauge polished stainless steel legs and welded cross rails to handle heavy usage

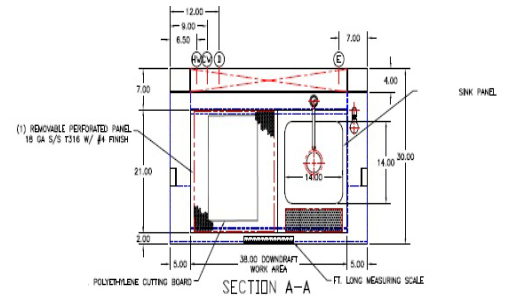
OPTIONS and ACCESSORIES :

- Elevating Work Surface
- Spray hose with palm operated water control
- Waste Disposers—1/2 to 1 1/2 HP
- Task light with switch – various models available
- Base cabinet
- Flushing system
- Adjustable height
- Waste disposer
- GFCI Outlet
- Scale bracket
- Emergency eye wash
- Air, gas and vacuum valves (SR2147-02)
- Custom Fabrication to meet your facility's requirements

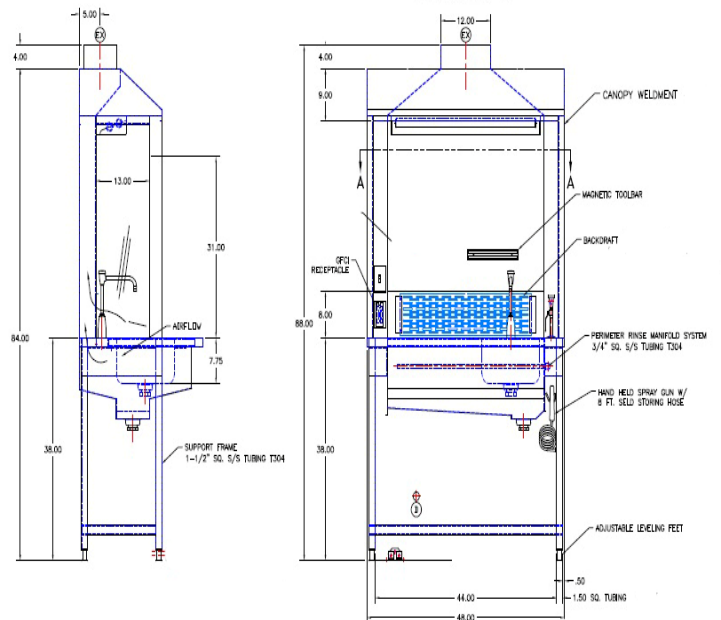
JD SERIES NECROPSY STATIONS



Perforated work surface with down draft ventilation.



Large radius corners on interior surfaces for easy cleaning & reduction accumulation of tissue & debris.





CSI JEWETT

SPIRE INTEGRATED SOLUTIONS



SPIRE

INTEGRATED SOLUTIONS

 **(402) 344-4200**

 **sales@spire-is.com**

 **www.spire-is.com**

/ A Chalmers Group Company