

NOR-LAKE[®] SCIENTIFIC

PREMIER[™] LOW TEMPERATURE FREEZER -30°C

Designed to meet the demanding requirements for scientific and laboratory research. Advanced engineered design incorporates the latest in cabinet, refrigeration, temperature control and monitoring features. Provides energy efficient, convenient, safe and reliable performance for optimal storage temperature environments necessary for a wide range of life science, pharmacy, biological, medical, clinical and industrial applications.

Standard Product Features:

- Digital LED Microprocessor controller with Hi/Lo audible and visual alarm
- Remote alarm contacts
- Adjustable temperature control range from -20°C to -30°C. Factory preset at -25°C
- Continuous product temperature display
- Product sensor with glycerin bottle
- Power supply switch
- Exterior cabinet front, sides and back are painted white
- Exterior cabinet top and bottom are galvanized steel
- Interior cabinet liner and interior door panel are painted white
- Cabinet and solid door(s) are foamed-in-place with CFC Free high density polyurethane foam insulation
- Heavy duty door pivot hinges
- Centered key door locks (2 keys)
- Full length door pull handle(s)
- Four casters (2 locking)
- 3 epoxy coated wire shelves per door
- Perimeter anti-condensate door opening heater wires
- Magnetic door gasket
- Interior light, switch activated
- Air cooled condensing unit
- Top mounted forced air refrigeration system
- Automatic defrost and condensate evaporation
- Warranties: 18 month parts and labor, 5 year compressor (US and Canada) 18 months parts (International)
- UL/C-UL Listed

Optional Features:

- Legs in lieu of casters
- Stainless steel drawers (8 per door)
- Wire basket drawer (6 per door)
- Extra shelf
- Stainless steel exterior
- Stainless steel interior
- 4-20 ma output
- Temperature chart recorder with chart paper
- Sensor access port 1" diameter
- Export crating



NSXF211WWW/0



NSXF211WWW/0

NSXF482WWW/0

NORLAKE[®] SCIENTIFIC



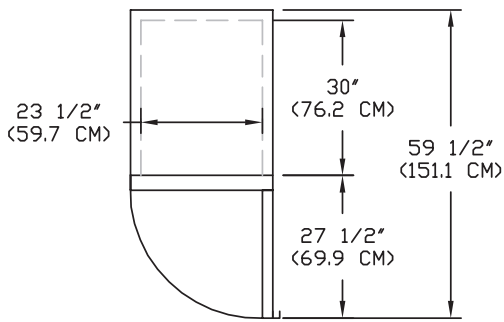
Committed to our environment



Nor-Lake, Inc.
Registered to ISO 9001:2008
File No. 10001816

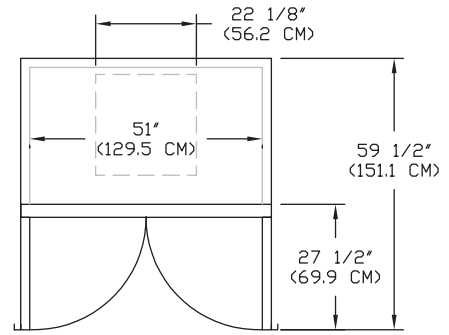
NOR-LAKE SCIENTIFIC
A Division of
NOR-LAKE, INCORPORATED
727 Second Street

Hudson, Wisconsin 54016
800-477-5253
715-386-2323
800-388-5253 PARTS
715-386-4290 FAX
www.norlakescientific.com

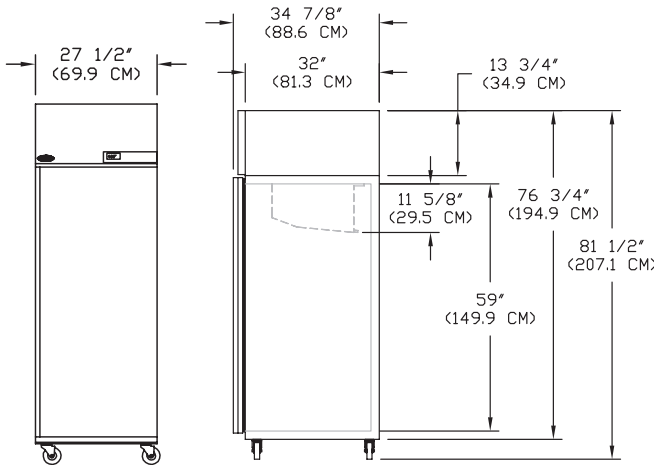


NSXF211WWW/0

TOP



NSXF482WWW/0



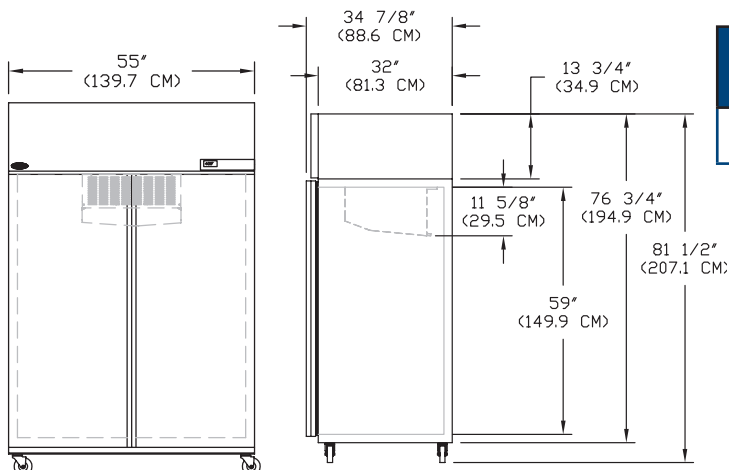
NSXF211WWW/0

FRONT

SIDE

SPECIFICATIONS		
Models	NSXF211WWW/0	NSXF482WWW/0
Crated Height (in) (cm)	85-1/2" (217)	85-1/2" (217)
Crated Width (in) (cm)	37" (94)	59" (149)
Crated Depth (in) (cm)	41" (104)	41" (104)
Crated Weight (lbs) (kg)	485 (220)	750 (341)
Interior Height (in) (cm)	59" (149)	59" (149)
Interior Width (in) (cm)	23-1/2" (59)	51" (129)
Interior Depth (in) (cm)	30" (76)	30" (76)
Overall Height (in) (cm)	81-1/2" (207)	81-1/2" (207)
Overall Width (in) (cm)	27-1/2" (69)	55" (139)
Overall Depth (in) (cm)	34-7/8" (88)	34-7/8" (88)
Gross Cubage (ft.3) (L)	24 (680)	52 (1473)
Shelf Area (sq. ft.) (m ²)	18.3 (1.7)	39.7 (3.6)
Number of Shelves	3	6
Number of Casters	4	4
Condensing Unit Size	1 HP	1 HP
Refrigerant	R-404A	R-404A
Electrical Characteristics	115/60/1	115/60/1
Cord and Plug Supplied	Yes	Yes
Maximum Fuse Size	20 Amp	20 Amp
Total Amp Draw /0	15.8	15.8

Specifications subject to change without notice.



NSXF482WWW/0

FRONT

SIDE

Voltage Model Suffix Code	Voltage Description	NEMA Plug	NEMA Receptacle
/0	115V, 1PH, 60HZ	5-20P	5-20R

NORLAKE SCIENTIFIC

Revision Date: 05/12
 ©2012 NOR-LAKE, INC.
 Printed in the U.S.A.
 Part Number: 101824

