

# NOR-LAKE® SCIENTIFIC

PREMIER™ SCIENTIFIC, LABORATORY, PHARMACY & PHARMACEUTICAL GRADE

## +4°C PASS-THRU REFRIGERATORS

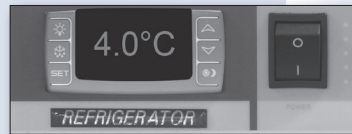
Designed to meet the demanding requirements for scientific and laboratory research. Advanced engineered design incorporates the latest in cabinet, refrigeration, temperature control and monitoring features. Provides energy efficient, convenient, safe and reliable performance for optimal storage temperature environments necessary for a wide range of life science, pharmacy, biological, medical, clinical, vaccine and industrial applications.

### Standard Product Features:

- Digital LED display microprocessor temperature controller
- Audible and visual Hi/Lo temperature alarm
- Adjustable temperature control range: +2°C to +10°C, factory preset at +4°C
- Remote alarm contacts
- Continuous product temperature display
- Product sensor with glycerin bottle
- Power supply switch
- Exterior cabinet front, sides and back are painted white
- Exterior cabinet top and bottom are galvanized steel
- Interior cabinet liner and door panels are painted white
- Cabinet and solid doors are foamed-in-place with CFC-free high density polyurethane foam insulation
- Glass door(s) on applicable models are full size, double pane, with frame anti-condensate heater wires
- Glass door(s) are standard on all WWF suffix models and WWG suffix models (controller side)
- Solid door(s) on applicable models are full size
- Solid door(s) are standard on WWW suffix models and WWG suffix models (non-controller side)
- Heavy duty door pivot hinges
- Pull door handles
- Magnetic door gaskets
- Centered key door lock(s) (2 keys)
- Four casters (2 locking) on two and four door models, six casters (3 locking) on six door models
- Three (3) coated wire shelves per door section
- Interior LED light, switch activated
- Air cooled condensing unit
- Top mounted forced air refrigeration system
- Automatic defrost and condensate evaporation
- Warranties: 18 months parts and labor, 5 year compressor (US and Canada), 18 months parts (International)
- UL, C-UL listed

### Optional Features:

- Data Logger/Thermometer Monitor with Digital Display with alarm (field install)
- Extra shelf
- Stainless steel two-way drawer (8 per door)
- Wire basket two-way drawer (8 per door)
- Reverse door hinge
- Access port 2" sleeve with cover
- Sensor access port 1" diameter
- Internal electrical outlet
- Legs in lieu of casters
- Stainless steel interior
- Stainless steel exterior (applicable models)
- Temperature chart recorder with chart paper
- Trim kits
- 4-20ma output
- Export crating



NORLAKE SCIENTIFIC

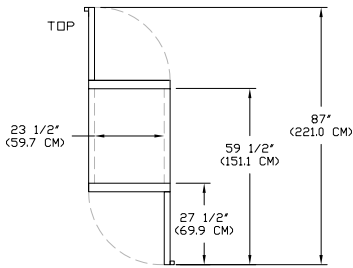


Committed to our environment

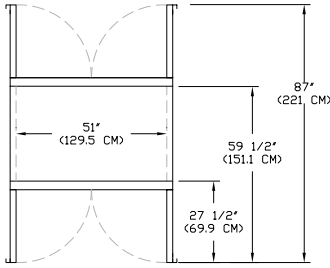


Nor-Lake, Inc.  
Registered to ISO 9001:2008  
File No. 10001816

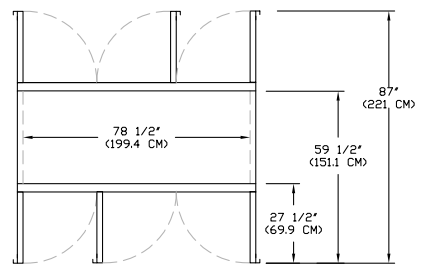
NOR-LAKE SCIENTIFIC  
A Division of  
NOR-LAKE, INCORPORATED  
727 Second Street  
Hudson, Wisconsin 54016  
800-477-5253  
715-386-2323  
800-388-5253 PARTS  
715-386-4290 FAX  
[www.norlakescientific.com](http://www.norlakescientific.com)



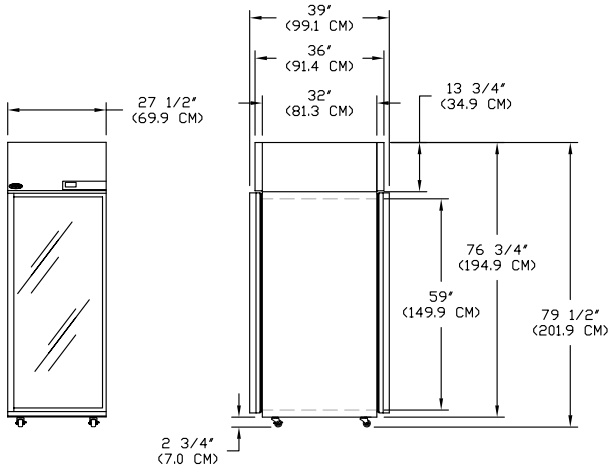
**NSPT242WWF/  
TOP VIEW**



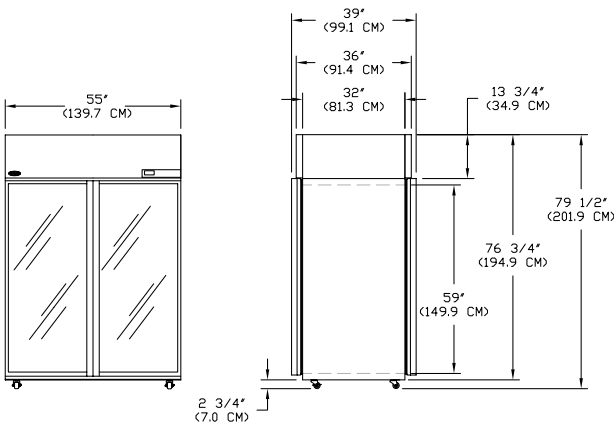
**NSPT524WWF/  
TOP VIEW**



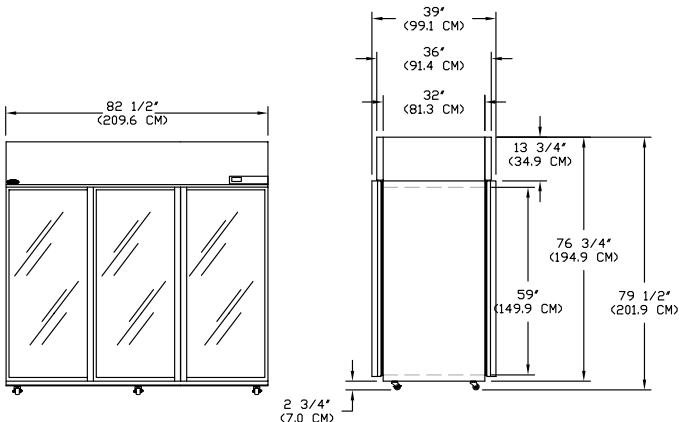
**NSPT806WWF/  
TOP VIEW**



**NSPT242WWF/**



**NSPT524WWF/**



**NSPT806WWF/**

**FRONT VIEW**

**SIDE VIEW**

**SPECIFICATIONS**

Models	NSPT242WWF/0	NSPT524WWF/0	NSPT806WWF/0
	NSPT242WWF/5	NSPT524WWF/5	NSPT806WWF/5
	NSPT242WWG/0	NSPT524WWG/0	NSPT806WWG/0
	NSPT242WWG/5	NSPT524WWG/5	NSPT806WWG/5
	NSPT242WWW/0	NSPT524WWW/0	NSPT806WWW/0
	NSPT242WWW/5	NSPT524WWW/5	NSPT806WWW/5
Crated Weight (lbs) (kg)	434 (197)	706 (320)	903 (410)
Crated Height (in) (cm)	85 (216)	85 (216)	85 (216)
Crated Width (in) (cm)	34 (86)	61 (156)	89 (226)
Crated Depth (in) (cm)	43 (109)	43 (109)	43 (109)
Interior Height (in) (cm)	59 (149)	59 (149)	59 (149)
Interior Width (in) (cm)	23-1/2 (59)	51 (129)	78-1/2 (199)
Interior Depth (in) (cm)	32 (81)	32 (81)	32 (81)
Overall Height (in) (cm)	79-5/8 (202)	79-5/8 (202)	79-5/8 (202)
Overall Width (in) (cm)	27-1/2 (69)	55 (139)	82-1/2 (209)
Overall Depth (in) (cm) *	37-3/4 (95)	37-3/4 (95)	37-3/4 (95)
Gross Cubage (CuFt) (L)	25.6 (725)	55.7 (1577)	85.8 (2430)
Number of Shelves	3	6	9
Shelf Area (SqFt) (Sqm)	12.8 (1.1)	28.6 (2.6)	42.8 (3.9)
Number of Casters	4	4	6
Condensing Unit Size	1/3 HP	1/2 HP	3/4 HP
Refrigerant	R-134a	R-134a	R-134a
Total Amp Draw /0	8.6	10.7	10.4
Total Amp Draw /5	3.2	4.2	8.1

\* Overall depth is for WWF models. Subtract 5/8" for WWG and 1-1/4" for WWW models.

All WWF Suffix Series models must be operated in ambient temperatures no greater than +80°F.

Specifications subject to change without notice.

Voltage Model Suffix Code	Voltage Description	NEMA Plug	NEMA Receptacle
/0	115V, 1PH, 60HZ	5-15P	5-15R
/5	230V, 1PH, 50HZ	Power Inlet (IEC60320) Module	Cord Supplied Locally



Revision Date: 08/15  
©2015 NOR-LAKE, INC.  
Printed in the U.S.A.  
Part Number: 077436