

NOR-LAKE[®] SCIENTIFIC LABORATORY AND PHARMACY COMBINATION REFRIGERATOR AND FREEZER

Designed to meet the demanding requirements for scientific and laboratory research. Advanced engineered design incorporates the latest in cabinet, refrigeration, temperature control and monitoring features. Provides energy efficient, convenient, safe and reliable performance for optimal storage temperature environments necessary for a wide range of life science, pharmacy, biological, medical, clinical, and industrial applications.

Standard Product Features:

- Digital LED display microprocessor temperature controllers (2)
- Audible and visual Hi/Lo alarm for each controller
- Freezer (bottom chamber) adjustable control range from -10°C to -25°C factory preset at -20°C
- Refrigerator (top chamber) adjustable control range from +2°C to +10°C factory preset at +4°C
- Remote alarm contacts for each controller
- Continuous product temperature display
- Power supply switch
- Product sensors with glycerin bottles
- Exterior cabinet front, sides and back are painted white
- Exterior cabinet top and bottom are galvanized steel
- Interior cabinet liner and interior door panel are smooth aluminum
- Cabinet and solid door are foamed-in-place with CFC Free high density polyurethane foam insulation
- Heavy duty pivot hinges
- Pull door handle
- Magnetic door gasket
- Centered key door locks, (2 keys)
- Four casters (2 locking)
- 4 coated wire shelves (2 per chamber)
- Perimeter anti-condensate door frame heater wires
- Interior lights, door switch activated
- Air cooled condensing unit
- Top mounted refrigeration system
- Automatic defrost
- Warranties: 18 month parts and labor, 5 year compressor (US and Canada) 18 months parts (International)
- UL/CUL listed

Optional Features:

- Extra shelf
- Stainless steel drawer (4 maximum) (2 per chamber)
- Wire basket drawer (4 maximum) (2 per chamber)
- Sensor access port 1" diameter
- Legs in lieu of casters
- Stainless steel interior
- Stainless steel exterior
- Reverse door hinge
- Temperature chart recorder with chart paper
- 4-20ma output
- Export crating



NORLAKE[®]

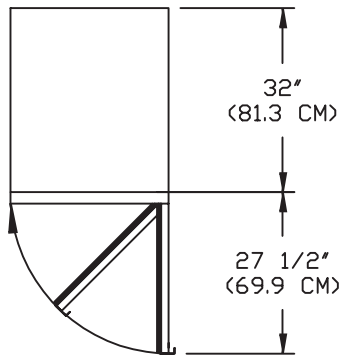


Committed to our environment

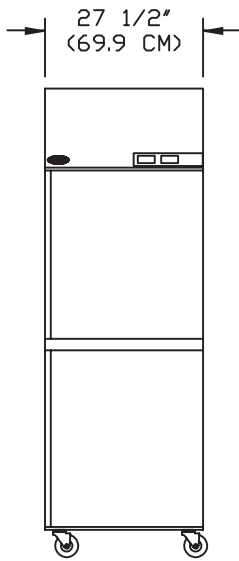


Nor-Lake, Inc.
Registered to ISO 9001:2008
File No. 10001816

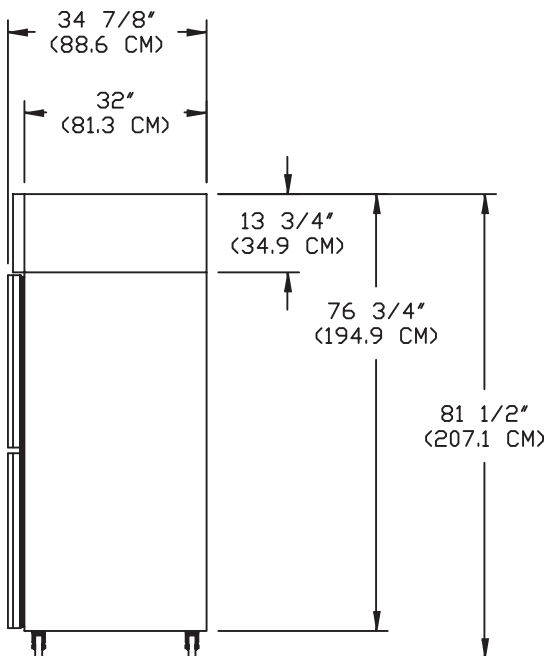
NOR-LAKE SCIENTIFIC
A Division of
NOR-LAKE, INCORPORATED
727 Second Street
P.O. Box 248
Hudson, Wisconsin 54016
800-477-5253
715-386-2323
800-388-5253 PARTS
715-386-4290 FAX
www.norlakescientific.com



NSRF202WWW/0 Top View



NSRF202WWW/0 Front View



NSRF202WWW/0 Side View

SPECIFICATIONS	
Models	NSRF202WWW/0
<i>Crated Height (in) (cm)</i>	84-3/4" (215)
<i>Crated Width (in) (cm)</i>	37" (94)
<i>Crated Depth (in) (cm)</i>	41" (104)
<i>Crated Weight (lbs) (kg)</i>	475 (216)
<i>Interior Height (in) (cm)</i>	27-1/2" (69)
<i>Interior Width (in) (cm)</i>	23-1/2" (59)
<i>Interior Depth (in) (cm)</i>	30" (76)
<i>Overall Height (in) (cm)</i>	81-1/2" (207)
<i>Overall Width (in) (cm)</i>	27-1/2" (69)
<i>Overall Depth (in) (cm)</i>	34-7/8" (88)
<i>Gross Cubage (ft.3) (m3)</i>	20.0 (0.5)
<i>Shelf Area (sq. ft.) (m²)</i>	17 (1.6)
<i>Number of Shelves</i>	2 per door
<i>Number of Casters</i>	4
<i>Condensing Unit Size</i>	1/2HP
<i>Refrigerant</i>	R-404A
<i>Electrical Characteristics</i>	115/60/1
<i>Cord and Plug</i>	5-20P
<i>Total Amp Draw</i>	13

Specifications subject to change without notice.

Voltage Model Suffix Code	Voltage Description	NEMA Plug	NEMA Receptacle
/0	115V, 1PH, 60HZ	5-20P	5-20R

NORLAKE SCIENTIFIC

Revision Date: 12/09
 ©2009 NOR-LAKE, INC.
 Printed in the U.S.A.
 Part Number: 101319

