

# **HISTOFLOW**

**Represented By:**

**BCA** Scientific Inc.

3395 Brett Road, Mississauga, ON, L5L 4N7

www.BCAscientific.com

Phone:905-820-6125 Fax:905\*820\*8958

## **VENTED TISSUE STORAGE CABINET – MODEL # VTSC-1**

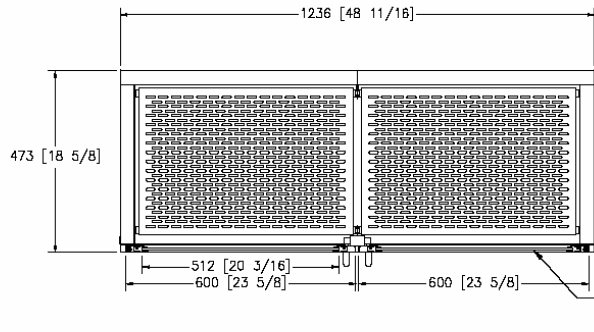


The Vented Tissue Storage Cabinet (Model # VTSC-1) is available in multiples of four foot wide, two door sections. Shown above, are three (3) VTSC-1's, with a total width of 12 feet.

To positively control formaldehyde fumes, each section is fully vented with two exhaust connections on top and an intake opening on the bottom front. The total exhaust required for this cabinet is 150 CFM (75 CFM per exhaust connection).

Each section is constructed entirely of stainless steel and comes with fourteen heavy-duty adjustable shelves and two tempered glass doors. Alternately, solid doors are available.

The sealed floor pan is designed to contain interior spills up to the level of the intake opening.



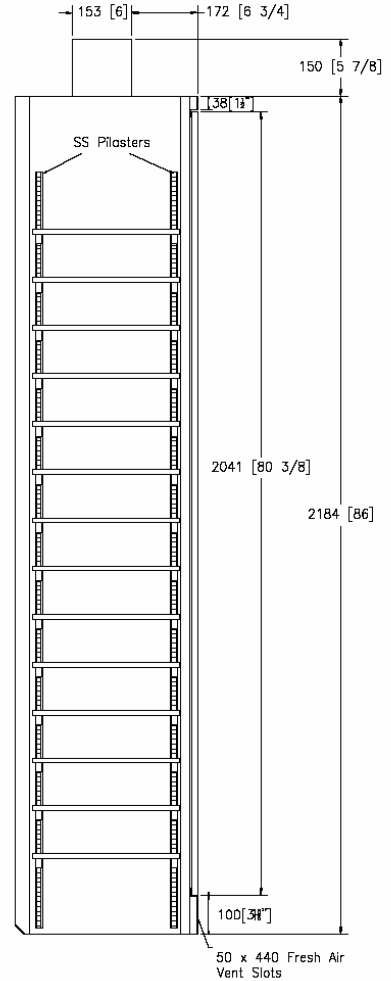
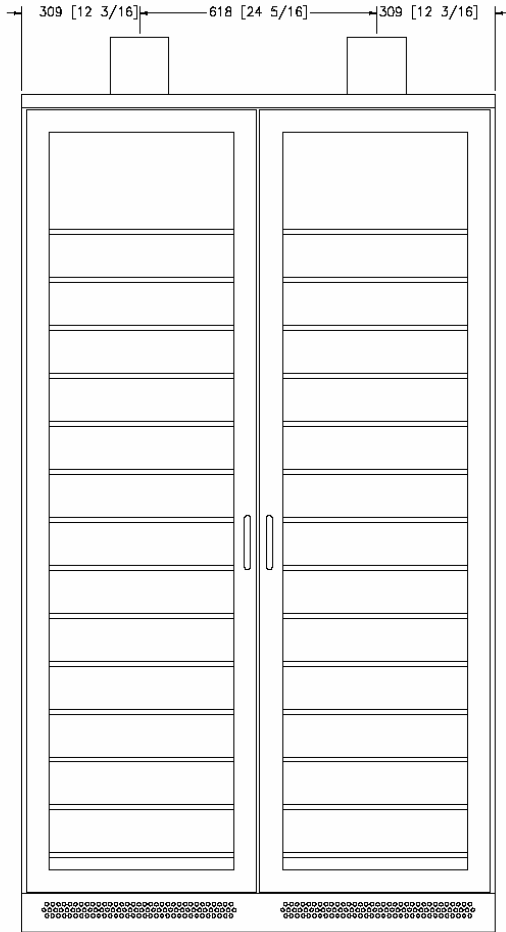
18 ga SS Outer & Inner Shell

Shelves are Perforated  
16ga Stainless Steel Sheet  
with Edges Turned Down

All Shelves are  
559 x 381, 28  
required

1/4" Tempered  
Glass In SS Frame

6" Round Exhaust Duct



This drawing shows the updated **HISTOFLOW** VTSC-1 with the new style perforated shelves and front vents. The new shelves are stronger and provide better support for small containers.