

NOR-LAKE[®] SCIENTIFIC

GENERAL PURPOSE LABORATORY AND SCIENTIFIC FREEZER

MANUAL DEFROST

Designed to meet the demanding requirements for scientific and laboratory research. Advanced engineered design incorporates the latest in cabinet, refrigeration, temperature control and monitoring features. Provides energy efficient, convenient, safe and reliable performance for optimal storage temperature environments necessary for a wide range of life science, pharmacy, biological, medical, clinical, and industrial applications.

Standard features:

- Mechanical cold controller
- Internal chamber thermometer
- Adjustable control range from -10°C to -25°C factory preset at -20°C
- Power supply switch
- Exterior cabinet front, sides and back are painted white
- Exterior cabinet top and bottom are galvanized steel
- Interior cabinet liner and interior door panel are smooth aluminum
- Cabinet and solid door are foamed-in-place with CFC Free high density polyurethane foam insulation
- Heavy duty solid door with spring loaded hinges
- Full length pull door handle
- Magnetic door gasket
- Centered key door lock (2 keys)
- Four casters (2 locking)
- 3 coated wire shelves
- Perimeter anti-condensate door frame heater wires
- Air cooled condensing unit
- Top mounted refrigeration system
- Cold wall evaporator, manual defrost
- Warranties: 18 month parts and labor, 5 year compressor (US and Canada), 18 months parts (International)
- UL/CUL listed



Optional Digital Thermometer Monitor With Alarm



NSLF241WMW/0M

Optional Features:

- Extra shelf
- Stainless steel drawer (8 maximum)
- Wire basket drawer (6 maximum)
- Sensor access port 1" diameter
- Legs in lieu of casters
- Stainless steel interior
- Stainless steel exterior
- Reverse door hinge
- Temperature chart recorder with chart paper
- Digital thermometer monitor with alarm (Field Install)
- Export crating



NSLF241WMW/0M

NORLAKE SCIENTIFIC



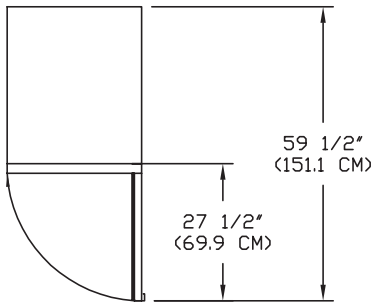
Committed to our environment



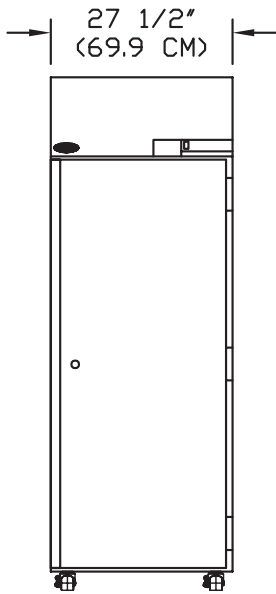
Nor-Lake, Inc.
Registered to ISO 9001:2008
File No. 10001816

NOR-LAKE SCIENTIFIC
A Division of
NOR-LAKE, INCORPORATED
727 Second Street
Hudson, Wisconsin 54016

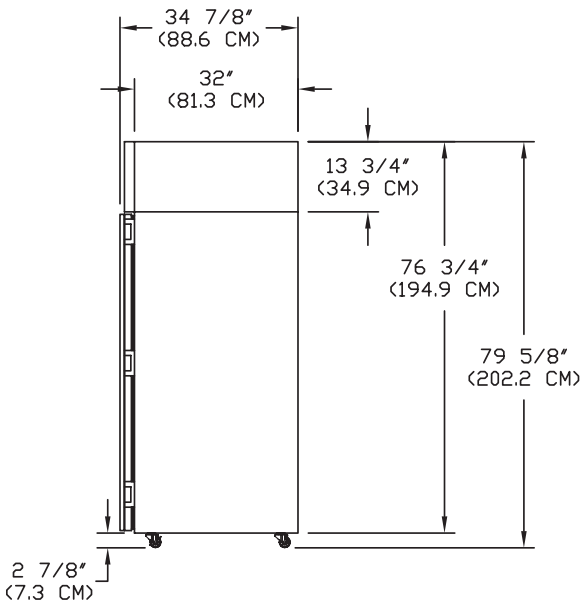
800-477-5253
715-386-2323
800-388-5253 PARTS
715-386-4290 FAX
www.norlakescientific.com



Top View - NSLF241WMW/0M



Front View - NSLF241WMW/0M



Side View - NSLF241WMW/0M

SPECIFICATIONS

Models	NSLF241WMW/0M	NSLF241WMW/5M
Crated Height (in) (cm)	83-3/4" (212)	83-3/4" (212)
Crated Width (in) (cm)	37" (94)	37" (94)
Crated Depth (in) (cm)	41" (104)	41" (104)
Crated Weight (lbs) (kg)	385 (175)	385 (175)
Interior Height (in) (cm)	59" (149)	59" (149)
Interior Width (in) (cm)	23-1/2" (59)	23-1/2" (59)
Interior Depth (in) (cm)	30" (76)	30" (76)
Overall Height (in) (cm)	79-5/8" (202)	79-5/8" (202)
Overall Width (in) (cm)	27-1/2" (69)	27-1/2" (69)
Overall Depth (in) (cm)	34-7/8" (88)	34-7/8" (88)
Gross Cubage (ft.3) (m3)	24.0 (0.7)	24.0 (0.7)
Shelf Area (sq. ft.) (m2)	12.83 (1.2)	12.83 (1.2)
Number of Shelves	3	3
Number of Casters	4 (standard)	4 (standard)
Condensing Unit Size	3/4 HP	3/4 HP
Refrigerant	R-404A	R-404A
Electrical Characteristics	115/60/1	230/50/1
Cord and Plug Furnished	Yes	Yes
Total Amp Draw	8.2	3.94

Specifications subject to change without notice.

Manual Defrost Freezer

This is a cold wall freezer model which employs evaporator tubing embedded in the sidewalls, back, and top of the unit. During the refrigeration process, heat is removed through the evaporator tubing and expelled through the condensing unit. It will be necessary to occasionally manually defrost the freezer when frost has accumulated. To do this, unplug the unit and open the door. Wipe the cabinet dry when defrosting is complete.

Voltage Model Suffix Code	Voltage Description	NEMA Plug	NEMA Receptacle
/0	115V, 1PH, 60HZ	5-15P	5-15R
/5	230V, 1PH, 50HZ	Power Inlet (IEC 60320) Module	Cord Supplied Locally



Revision Date: 6/10
 ©2010 NOR-LAKE, INC.
 Printed in the U.S.A.
 Part Number: 121226

