

STAINLESS STEEL REFRIGERATORS

Designed to meet the demanding requirements of scientific and laboratory applications.

Standard Features

- 300 Series Stainless Steel Interior And Exterior
- Large Digital Display For Quick and Easy Temperature Identification
- Recessed Door Handles (Solid Door Models Only)
- Door Locks
- Magnetic Door Gaskets
- Adjustable Vinyl Coated Wire Shelves
- Incandescent Interior Lighting (Flourescent Interior Lighting For Glass Door Models)
- 4" Diameter Swivel Castors (Field Installed)
Locking Castors Provided For Front Set.
- Corrosion Resistant Epoxy Coated Evaporator
- Oversized And Balanced, Environmentally Friendly (134A) Refrigeration System
- Warranty: 1 Year Parts and Labor;
5 Year Compressor Parts

Optional Features

- 6" Legs
- Additional shelves
- Access Port
- Duplex Outlet
- Chromatography Models (Glass Door Only) Include:
 - Access Port
 - Duplex Outlet
 - Full Width Shelves



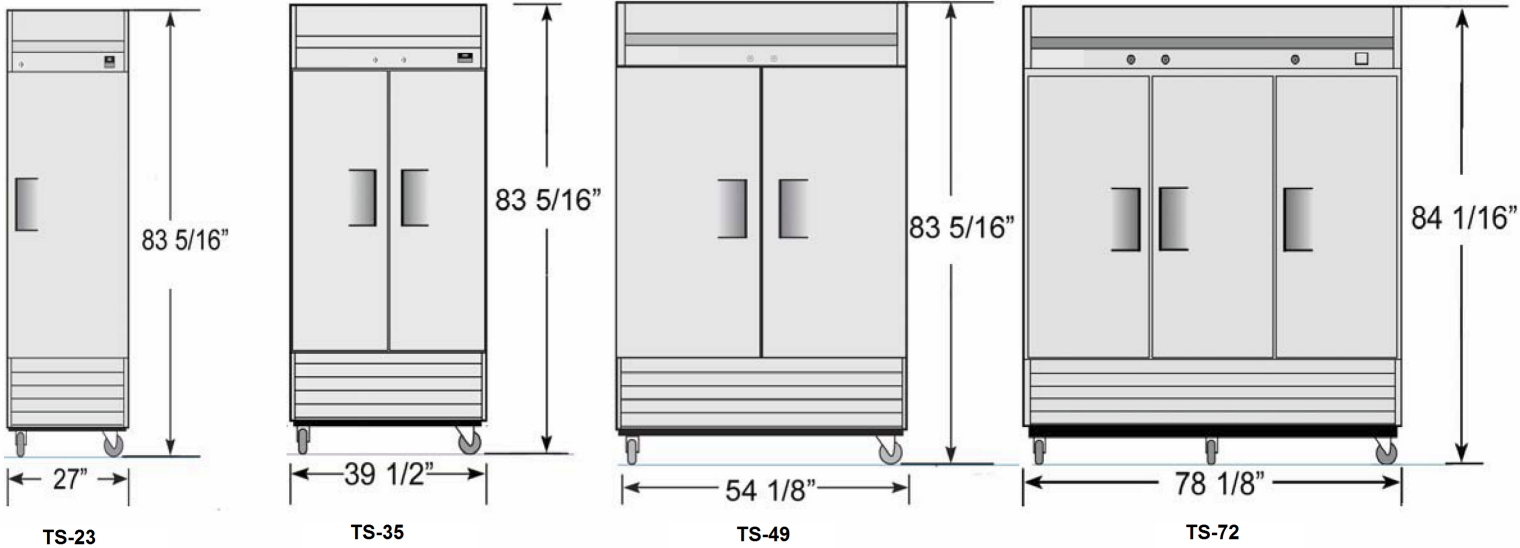
TS-49G



TS-23

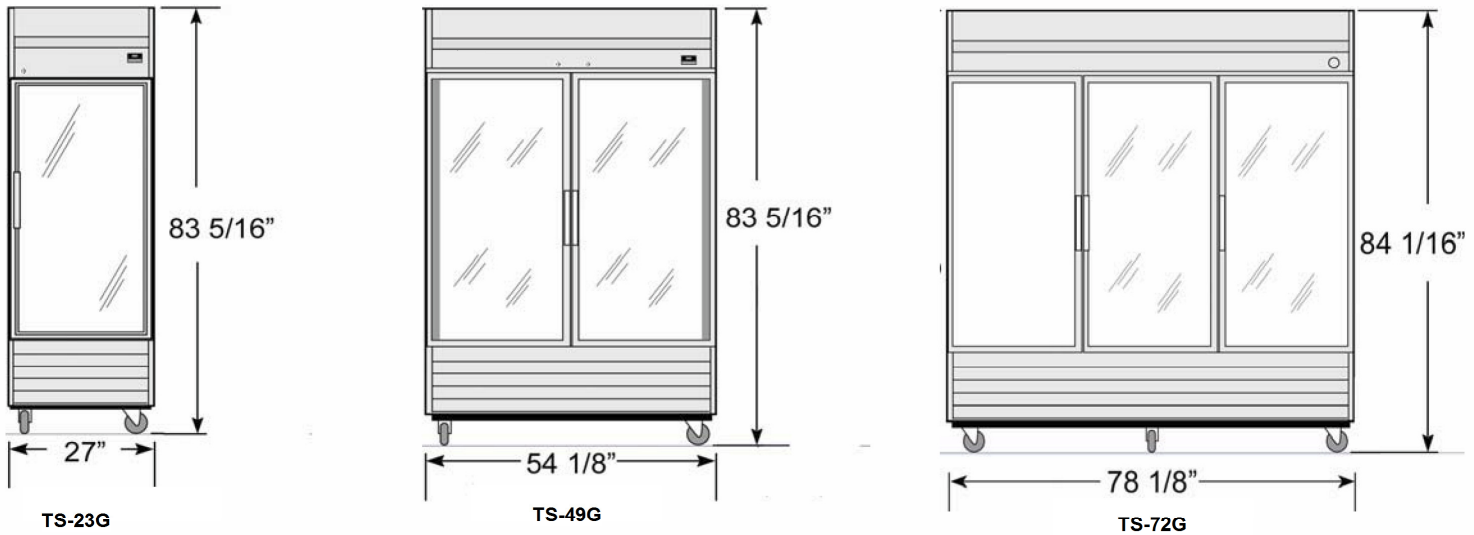
REPRESENTED BY:

BCA SCIENTIFIC INC.
3395 Brett Road, Mississauga, ON, L5L 4N7
Phone: 905-820-6125 Fax: 905-820-8958
www.BCAscientific.com



Hinged Solid Door

Model #	Cu. Ft. Interior	Number of Shelves	Number of Doors	Exterior Dimensions			Crated Weight (lbs.)
				L"	D"	H"	
TS-23	23	3	1	27	29 1/2	83 5/16	275
TS-35	35	6	2	39 1/2	29 1/2	83 5/16	395
TS-49	49	6	2	54 1/8	29 1/2	83 5/16	445
TS-72	72	9	3	78 1/8	29 1/2	84 1/16	615



Hinged Glass Door

Model #	Cu. Ft. Interior	Number of Shelves	Number of Doors	Exterior Dimensions			Crated Weight (lbs.)
				L"	D"	H"	
TS-23G	23	3	1	27	31 1/2	83 5/16	320
TS-49G	49	6	2	54 1/8	31 1/8	83 5/16	515
TS-72G	72	9	3	78 1/8	31 1/8	84 1/16	675

Chromatography Units Include 1 Access Port (specify what side) and 1 Duplex Outlet
****Duplex Outlet Has Additional Cord And Plug****

REPRESENTED BY:

BCA SCIENTIFIC INC.
 3395 Brett Road, Mississauga, ON, L5L 4N7
 Phone: 905-820-6125 Fax: 905-820-8958
 www.BCAscientific.com

