

***HISTO*FLOW**

HISTOLOGY WORKSTATION

Represented By:

BCA Scientific Inc.

3395 Brett Road, Mississauga, ON, L5L 4N7

www.BCAScientific.com

Phone:905-820-6125 Fax:905*820*8958

MODEL HWS-81FAX

with Formalin, Alcohol & Xylene Dispensing



This is an eight foot wide all stainless steel fume hood which has been specially designed for histology work.

Storage, dispensing and waste collection for formalin, alcohol and xylene are integrated into the cabinet. Indicator lights for low supply and high waste for each are included on the front panel.

Positive fume control is assured by the use of a full width front lip vent combined with adjustable top and bottom rear vents and a fully exhausted base cabinet.

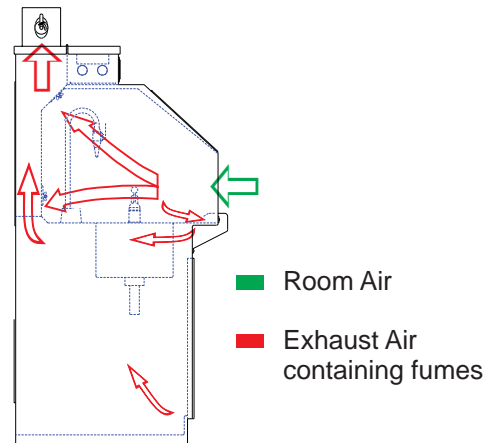
The cabinet features a large lighted work surface and a built in sink with a hot and cold water mixing faucet. Two sloping, hinged windows cover the full width of the cabinet front and allow good visibility and access to the work area.

Formalin, Alcohol and Xylene On Demand!

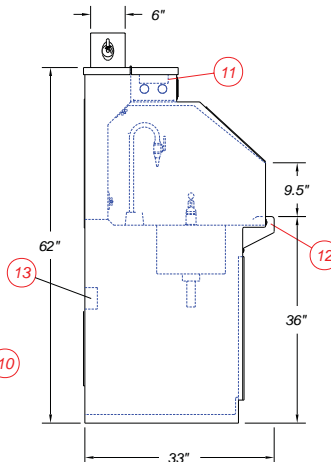
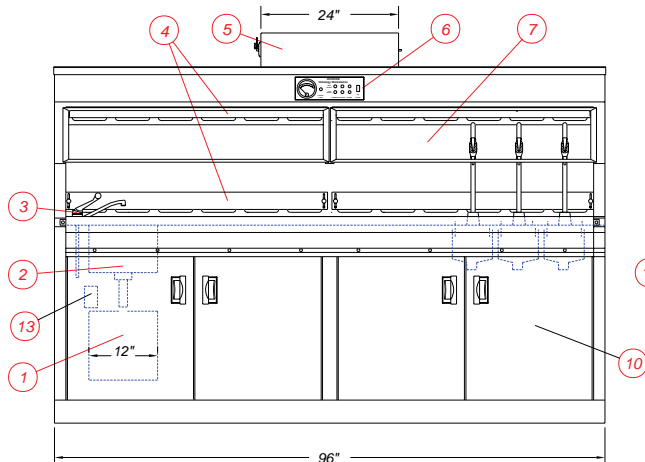
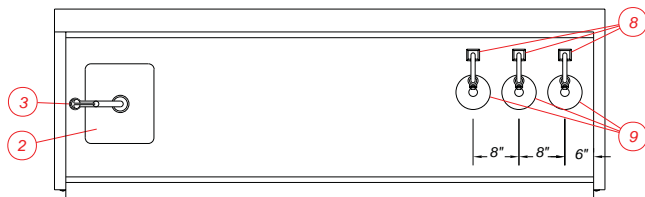
Formalin, Alcohol and Xylene are pumped directly from standard 20 liter containers in the cabinet base to the gooseneck dispensers. All three pumps use non-electric air motors and operate automatically on demand. The lip vented chemical sinks drain into collection containers which are also located in the cabinet base. The waste and supply containers have level sensing to signal when they are nearly full or empty.

Positive Fume Control!

Minimizing occupational exposure to formaldehyde and other fumes is becoming more of a concern. The **HISTOFLOW** HWS-81FAX addresses this concern with exceptional fume containment. The full width front lip vent draws fumes away from the work area before they can escape out the front in turbulent air. The adjustable top and bottom rear baffles fully exhaust the rest of the work space. The fully vented base cabinet prevents the build up of fumes from storage containers. Disposal of liquid waste in the three chemical sinks is inside the cabinet where fumes are fully exhausted.



Dimensions and Features:



SERVICES

PLUMBING - HOT 1/2"
- COLD 1/2"
- DRAIN 1 1/2"
- AIR 25 PSI 2 CFM

ELECTRICAL - 120 VAC 60HZ 1PH 2A
(JUNCTION BOX)
EXHAUST - 950 CFM @ 1/2"SP

1. REMOVABLE SERVICES PANEL
 2. ALL COVERED CORNER S/S SINK
 3. HOT/COLD WATER MIXING FAUCET
 4. ADJUSTABLE AIR BAFFLES
 5. EXHAUST DUCT WITH DAMPER
 6. CONTROL PANEL WITH:
 - MAGNEHELIC GAUGE
 - FORMALIN/ALCOHOL/XYLENE LEVEL INDICATORS
 - LIGHT SWITCH
 - LOW AIR FLOW WARNING
 7. HINGED TEMPERED GLASS WINDOWS
 8. FORMALIN/ALCOHOL/XYLENE DISPENSERS
 9. LIP VENTED FORMALIN/ALCOHOL/XYLENE FLUID DEPOSITORY
 10. EXHAUSTED STORAGE/COLLECTION AREA WITH COLLECTION CONTAINERS AND SPILL CONTAINING BOTTOM
 11. SEALED FLORESCENT LIGHTING
 12. LIP EXHAUSTED FRONT EDGE
 13. ELECTRICAL JUNCTION BOX
- ALL STAINLESS STEEL CONSTRUCTION
FRONT EDGE IS REMOVABLE TO PROVIDE A WIDTH OF 31.5" FOR INSTALLATION