

***HISTO*FLOW**

HISTOLOGY WORKSTATION

Represented By:

BCA Scientific Inc.

3395 Brett Road, Mississauga, ON, L5L 4N7

www.BCAscientific.com

Phone:905-820-6125 Fax:905*820*8958

MODEL HWS-81F



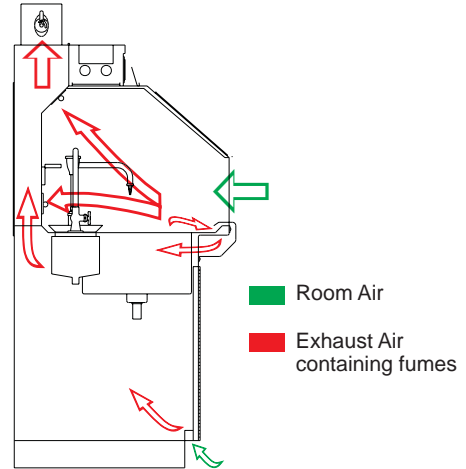
This 8 foot wide all stainless steel fume hood is specially designed for two person histology work. It features a central wash sink with a work area to each side. The left side has a formalin dispenser with vented waste sink. The right side has a bagged solid waste chute and an optional second vented waste sink.

To positively control formaldehyde fumes this cabinet has a full width front lip vent, four adjustable rear vents and a fully vented base cabinet.

The formalin dispensing and waste collection systems are built in. The hinged tempered glass windows can be easily raised for full access to the work area.

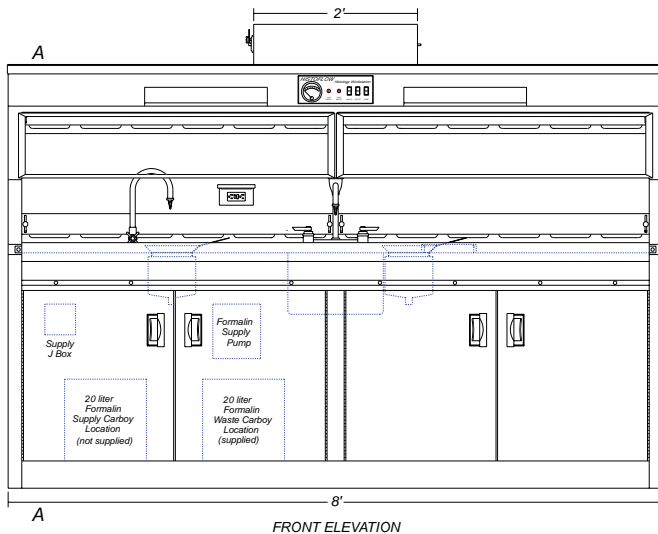
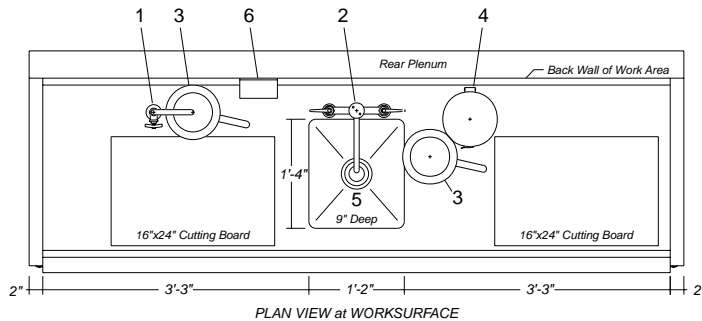
Formalin On Demand! -Formalin is pumped directly from a standard 20 liter bulk pack in the cabinet base to the central gooseneck dispenser. The lip vented chemical sink drains into a collection container also located in the cabinet base. Both waste and supply containers have level sensing to signal when they are nearly full or empty.

Positive Fume Control! -Minimizing occupational exposure to formaldehyde fumes is becoming more of a concern. The **HISTOFLOW** HWS-81F addresses this concern with exceptional fume containment. The full width front lip vent draws fumes away from the front work area before they can escape out the front in turbulent air. The adjustable top and bottom rear baffles fully exhaust the rest of the work space. The fully vented base cabinet prevents the build up of fumes from storage containers. Disposal of liquid and solid waste with the chemical sink and the “bagged” waste disposal chute is inside the cabinet where fumes are fully exhausted.



Work surface height is designed for standing operation, while knee clearance allows for sitting.

Dimensions and Features:



- SERVICES:**
- ELECTRICAL**
117VAC 1PH 12A (with outlet)
- PLUMBING**
- HOT 1/2"
- COLD 1/2"
- DRAIN 1-1/2"
- EXHAUST**
950 CFM @ 1/2" SP (at Exhaust Duct)
- NOTES:**
- Formalin Dispenser - self closing, gooseneck, hose end
 - Deck Mixing Faucet, swivel vacuum breaker gooseneck, hose end
 - Formalin Sink, lip vented, removable funnel strainer, drains to 20 liter waste formalin collection container, 2nd sink optional
 - Bagged Disposal Chute with hinged lid and bag clamp
 - SS Sink 16"x14"x9" deep, all covered corner with basket strainer
 - Interior GFI Duplex Outlet with cover, switched at control panel
- All TIG welded Stainless Steel Construction

