

# ***HISTOFLOW***

## **HISTOLOGY WORKSTATION**

***Represented By:***

***BCA*** *Scientific Inc.*

3395 Brett Road, Mississauga, ON, L5L 4N7

www.BCAscientific.com

Phone:905-820-6125 Fax:905\*820\*8958

## **MODEL HWS-61FE**

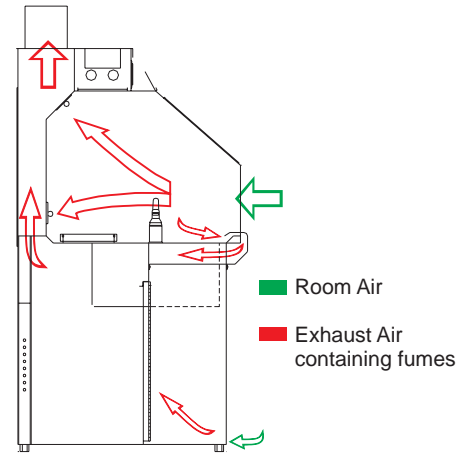


This 6 foot wide all stainless steel fume hood is specially designed for histology work from a sitting position. Adjustable legs allow it to be fixed at a wide range of heights. To positively control formaldehyde fumes this cabinet has a full width front lip vent, two adjustable rear vents and a fully vented base cabinet.

Other features include a self contained formalin dispensing and waste collection system with level indication, a bagged waste disposal chute with hinged lid and bag clamp and a hinged tempered glass window for full access to the work area.

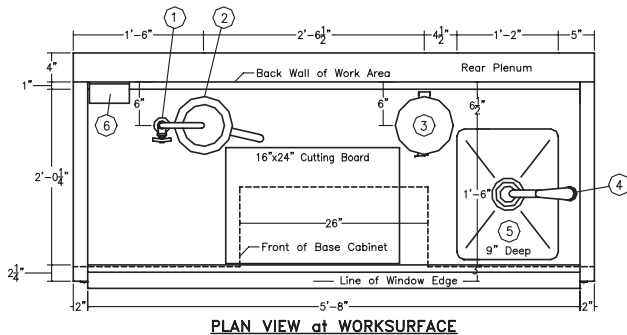
**Formalin On Demand!** -Formalin is pumped directly from a standard 20 liter bulk pack in the cabinet base to the central gooseneck dispenser. The lip vented chemical sink drains into a collection container also located in the cabinet base. Both waste and supply containers have level sensing to signal when they are nearly full or empty.

**Positive Fume Control!** -Minimizing occupational exposure to formaldehyde fumes is becoming more of a concern. The **HISTOFLOW** HWS-61FE addresses this concern with exceptional fume containment. The full width front lip vent draws fumes away from the front work area before they can escape out the front in turbulent air. The adjustable top and bottom rear baffles fully exhaust the rest of the work space. The fully vented base cabinet prevents the build up of fumes from storage containers. Disposal of liquid and solid waste with the chemical sink and the “bagged” waste disposal chute is inside the cabinet where fumes are fully exhausted.



**Accommodating!** This model features generous knee clearance for sitting and adjustable legs that can be set manually for a work surface height of 29 to 36 inches.

### Dimensions and Features:



**SERVICES:**

May Require Flexible Connections and Allowance for Height Adjustment

Electrical  
117VAC 1PH 12A (with outlet)

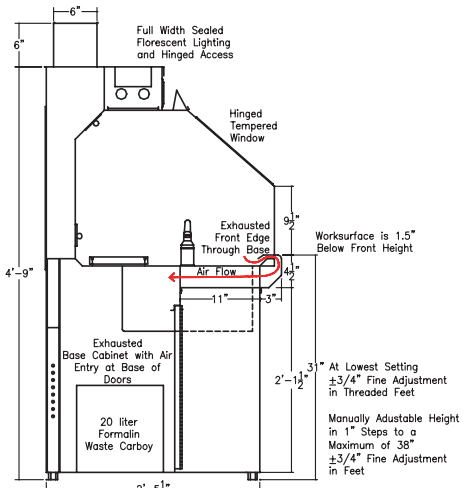
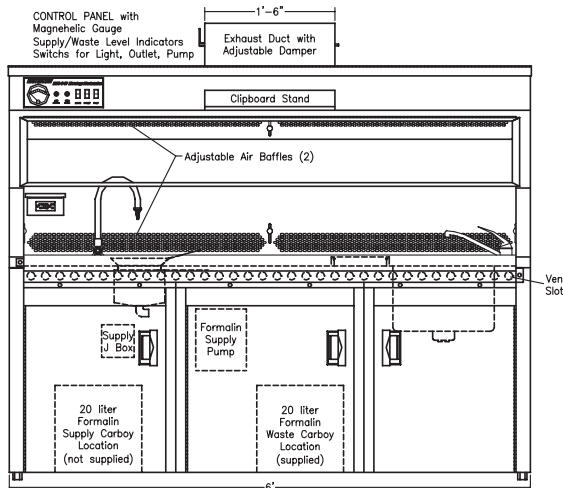
Plumbing  
-Hot/Cold 1/2"  
-Drain 1-1/2"

Exhaust  
700 CFM @ 1/2"SP (at exhaust duct)

**NOTES:**

1. Formalin Dispenser T&S BL-5850-02 self closing with swivel gooseneck
2. Formalin Sink, lip vented, with removable funnel strainer, drains to 20 liter waste formalin collection container
3. Bagged Disposal Chute with hinged lid and bag clamp
4. Deckmount Mixing Faucet
5. SS Sink 18"x14"x9"deep, all covered corner with basket strainer
6. Interior GFI Duplex Outlet with cover, switched at control panel

Stainless Steel Construction, interior is covered corner, all TIG welded, ground and polished to No. 4 satin finish



4 Telescoping Legs Are Secured From Inside Cabinet With One Fixing Bolt On Each